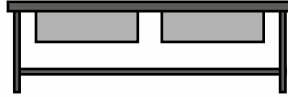


BUILT STRONG - BUILT TOUGH

STAINLESS STEEL EQUIPMENT



WWW.ACE-UK.COM

HEAVY DUTY
INDUSTRIAL
COMMERCIAL
MEDICAL
VETERINARY
RETAIL
WHOLESALE

FOUR TIER RACKS - adjustable position perforated shelves - **430 stainless steel**



SSRP424-C MOBILE RACK
5 ADJUSTABLE SHELVES
(inc. 1 OPTIONAL EXTRA)
OPTIONAL 5" CASTORS



ACE STAINLESS STEEL RACKS



SSRP324 STATIC RACK
4 ADJUSTABLE SHELVES
STAINLESS STEEL FEET

Heavy duty quality, robust construction, good aesthetic style, safety finish is easy to maintain and keep clean. Suitable for any harsh hard working environment where high standard of hygiene is essential.

There are no exposed bolts, brackets or components. The racks have perforated shelves (25.4 mm diameter perforations) for good air circulation. Static or mobile, our quality racks provide flexible storage solutions for use in dry or wet environments, commercial, institutional or domestic.

The quality of these racks is certified worldwide by:

- NSF** (National Sanitary Foundation)
- ANSI** (American National Standards Institute)
- SSC** (Standards Council of Canada)

SSRP four tier racks are available in two lengths and one width.

Optional extras

Flanged Feet - 304 stainless steel adjustable bolt down feet - 90 mm (3½") flange

Castors Polyurethane - 127 mm (5") 2 with brake, 2 without brake

Additional Shelves

All racks are dispatched in easy to handle and store cartons ready for on site assembly.



**AMERICAN
CATERING
EQUIPMENT**

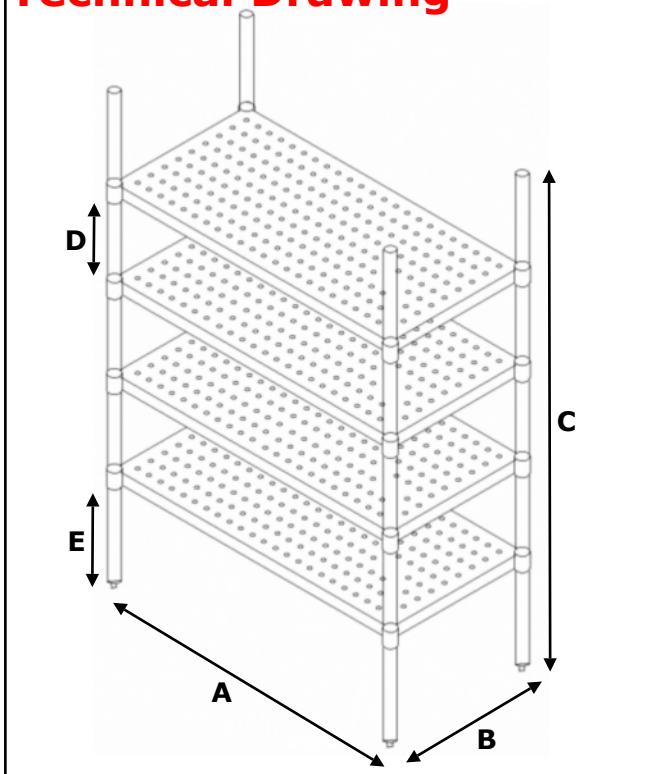
AMERICAN CATERING EQUIPMENT (UK) LIMITED
5 CHANTRY COURT
SOVEREIGN WAY
CHESTER WEST
CHESTER CH1 4QN
UNITED KINGDOM
TELEPHONE: 44 (0) 1244 381281
FAX: 44 (0) 1244 381700
OFFICE: FSE@ACE-UK.COM
PARTS: PARTS@ACE-UK.COM
WEBSITE: WWW.ACE-UK.COM



FOUR TIER RACKS

adjustable position perforated shelves

Technical Drawing



Model numbers for ordering

Please quote Model number when ordering, e.g.

SSRP324 is a four tier rack with adjustable feet
610 mm wide, 914 mm long, 1829 mm high

SSRP424-C is a four tier rack with castors
610 mm wide, 1524 mm long, 1959 mm high.

Dimensions		millimetres
Nominal length	A	914 1219
Nominal width	B	610
Overall height	C	1829
Shelf height	D	Adjustable
Shelf clearance	E	Adjustable
Load Capacity		
Shelf	120 kg Approximately Per Shelf	
Mobile racks	200 kg Approximately Per Rack	
Always maintain caution and stability when loading racks		
Construction		
Shelves	18 gauge 430 stainless steel 24.5 mm perforations	
Upright posts	201 stainless steel 42 mm Ø	
Adjustable feet	201 stainless steel	

Length		
Rack Model	SSRP324	SSRP424
610 Wide	914	1219
Nominal Packed Dimensions		
Four shelves	940 x 650 x 260	1245 x 650 x 260
Four posts	1835 x 185 x 60	
Approximate Packed Weight		
Four Shelves	24 kg	30 kg
Four Posts	10 kg	
Optional Extras		
Flanged feet	304 stainless steel adjustable bolt down feet 90 mm (3½") flange	
Castors	Polyurethane 127 mm (5") - 2 with brake, 2 without	
RSH324P	Extra shelf for SSR324P	
RSH424P	Extra shelf for SSR424P	

Specifications subject to continuous improvement program



AMERICAN

CATERING

EQUIPMENT

AMERICAN CATERING EQUIPMENT (UK) LIMITED
5 CHANTRY COURT
SOVEREIGN WAY
CHESTER WEST
CHESTER CH1 4QN
UNITED KINGDOM

TELEPHONE: 44 (0) 1244 381281
FAX: 44 (0) 1244 381700
OFFICE: FSE@ACE-UK.COM
PARTS: PARTS@ACE-UK.COM
WEBSITE: WWW.ACE-UK.COM

