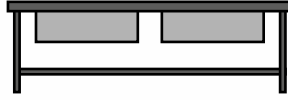


BUILT STRONG - BUILT TOUGH

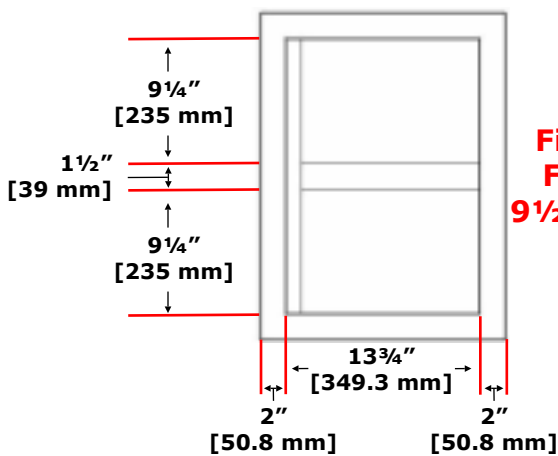
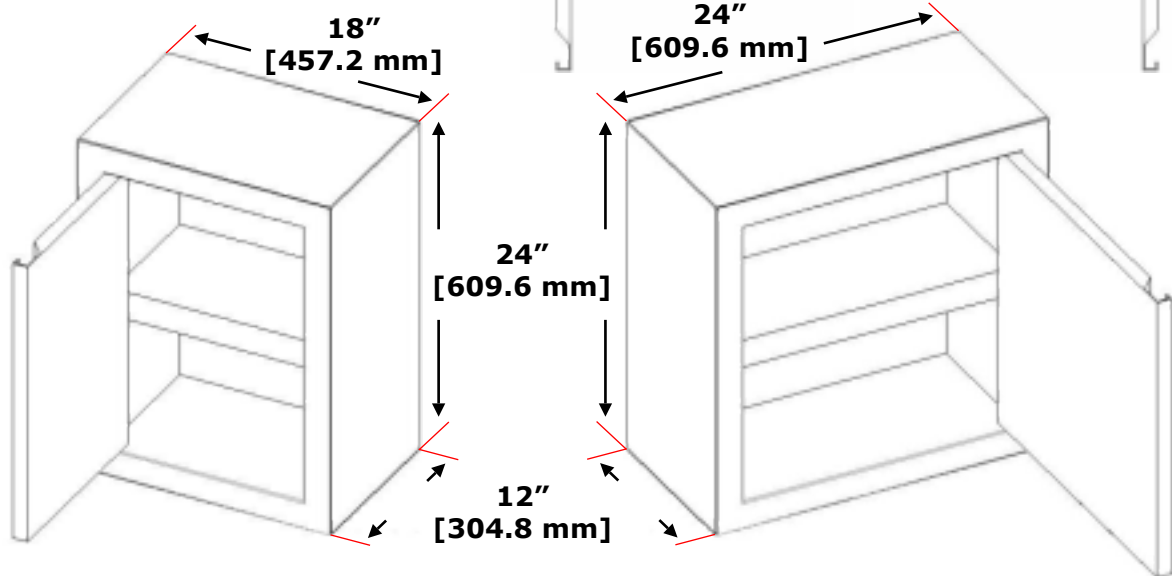
STAINLESS STEEL EQUIPMENT



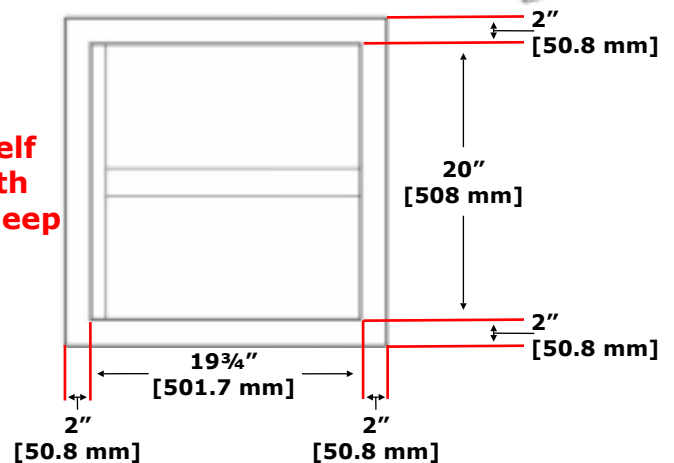
WWW.ACE-UK.COM

HEAVY DUTY
INDUSTRIAL
COMMERCIAL
MEDICAL
VETERINARY
RETAIL
WHOLESALE

SSWC112 SSWC212 - wall cupboards 18 gauge 430 stainless steel



**Fixed position shelf
Full cabinet length
9 1/2\" [241.3 mm] deep**



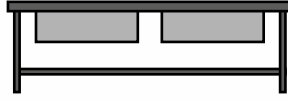
**AMERICAN
CATERING
EQUIPMENT**

AMERICAN CATERING EQUIPMENT (UK) LIMITED
5 CHANTRY COURT
SOVEREIGN WAY
CHESTER WEST
CHESTER CH1 4QN
UNITED KINGDOM
TELEPHONE: 44 (0) 1244 381281
FAX: 44 (0) 1244 381700
OFFICE: FSE@ACE-UK.COM
PARTS: PARTS@ACE-UK.COM
WEBSITE: WWW.ACE-UK.COM



BUILT STRONG - BUILT TOUGH

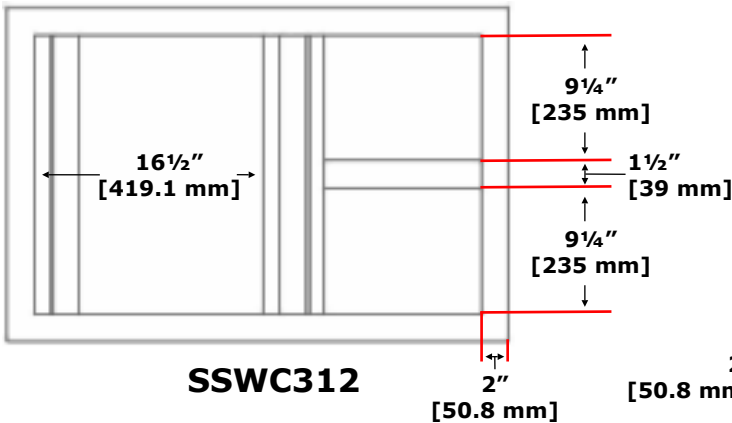
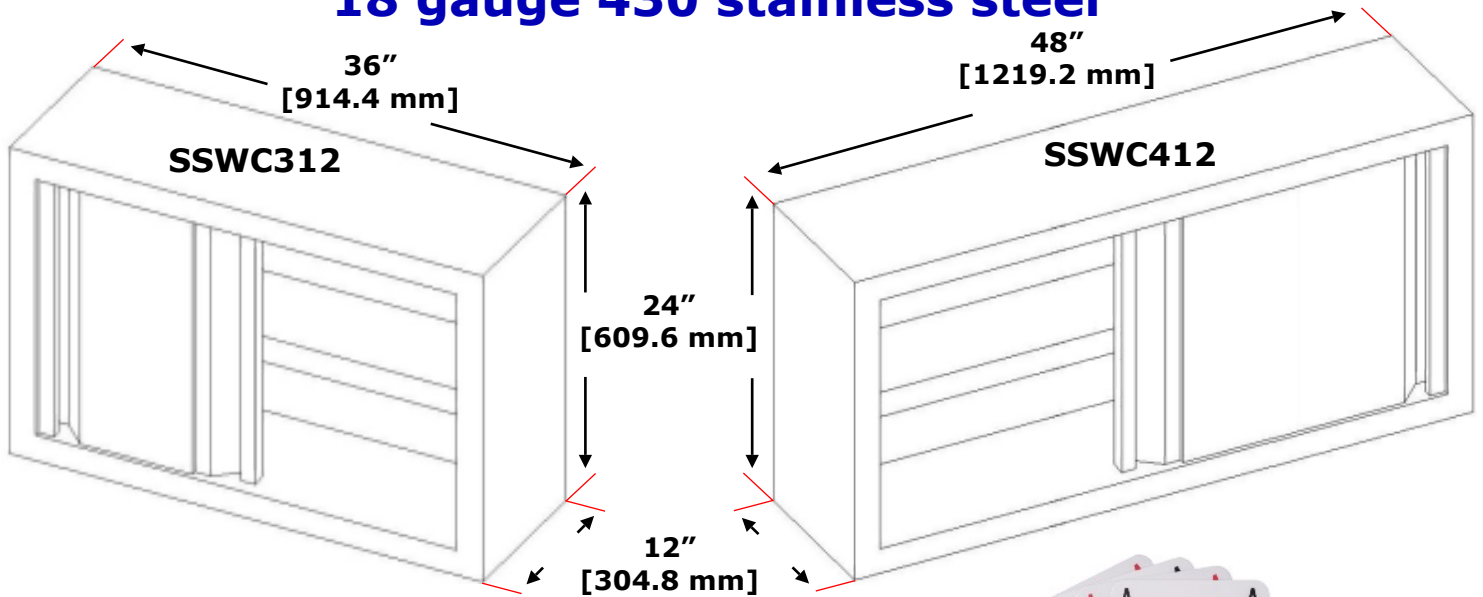
STAINLESS STEEL EQUIPMENT



WWW.ACE-UK.COM

HEAVY DUTY
INDUSTRIAL
COMMERCIAL
MEDICAL
VETERINARY
RETAIL
WHOLESALE

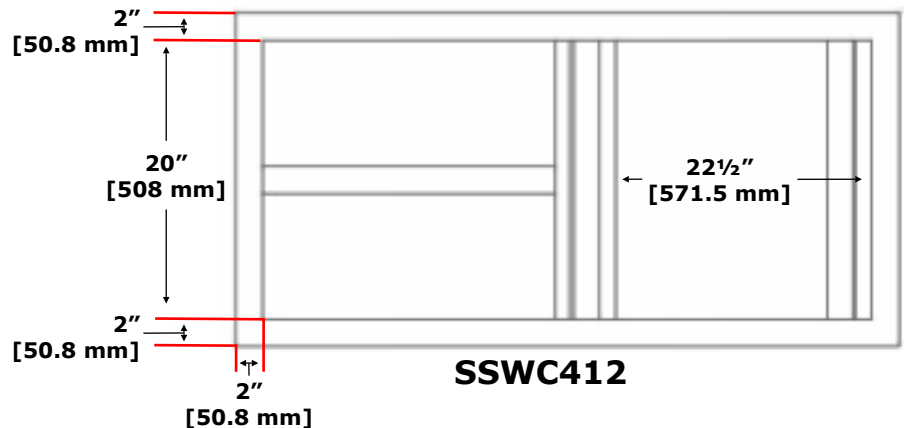
SSWC312 SSWC412 - wall cupboards 18 gauge 430 stainless steel



SSWC312

ACE STAINLESS STEEL
WALL CUPBOARDS

Fixed position shelf
Full cabinet length
9 1/2" [241.3 mm] deep



SSWC412



**AMERICAN
CATERING
EQUIPMENT**

AMERICAN CATERING EQUIPMENT (UK) LIMITED
5 CHANTRY COURT
SOVEREIGN WAY
CHESTER WEST
CHESTER CH1 4QN
UNITED KINGDOM
TELEPHONE: 44 (0) 1244 381281
FAX: 44 (0) 1244 381700
OFFICE: FSE@ACE-UK.COM
PARTS: PARTS@ACE-UK.COM
WEBSITE: WWW.ACE-UK.COM

