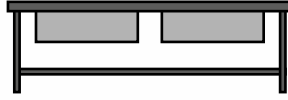


BUILT STRONG - BUILT TOUGH

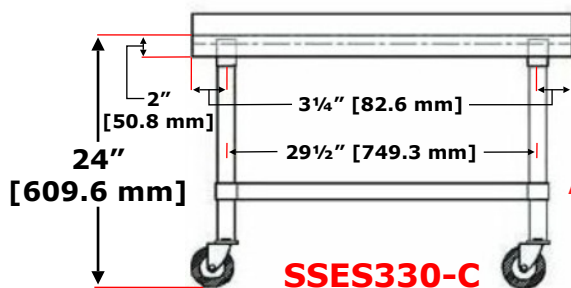
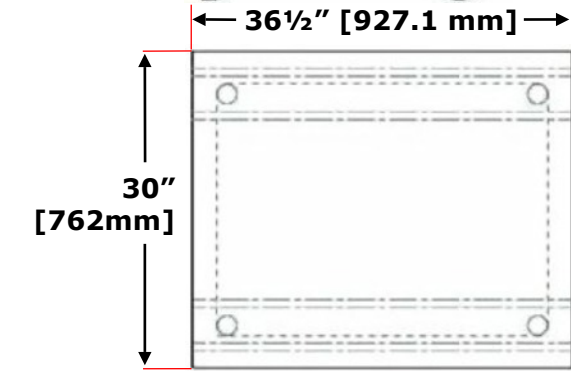
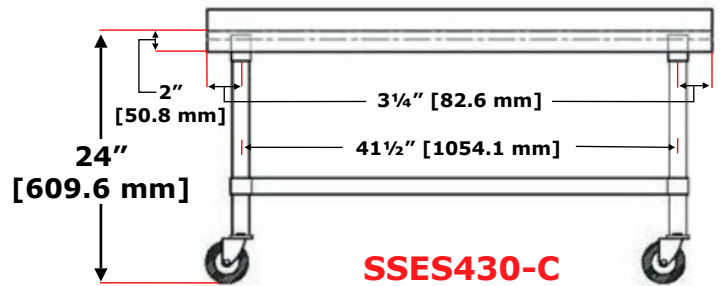
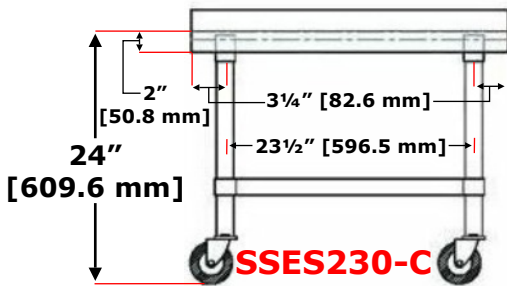
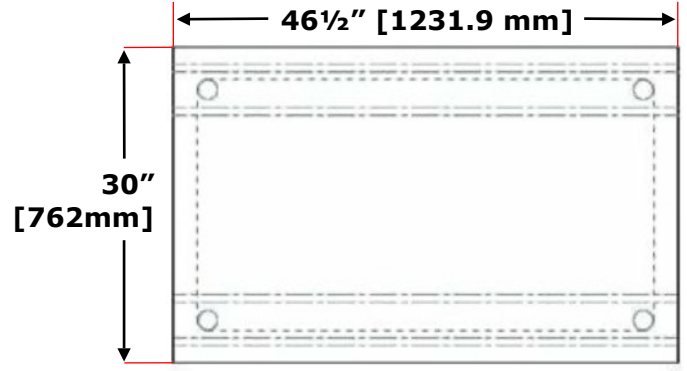
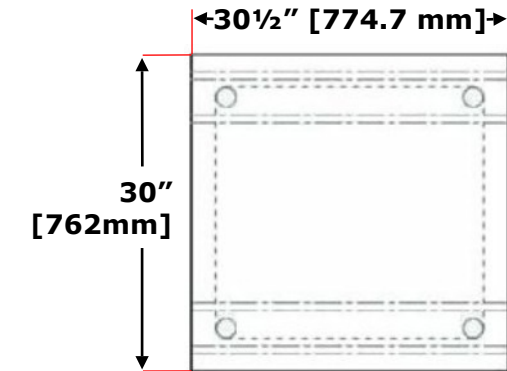
# STAINLESS STEEL EQUIPMENT



WWW.ACE-UK.COM

HEAVY DUTY  
INDUSTRIAL  
COMMERCIAL  
MEDICAL  
VETERINARY  
RETAIL  
WHOLESALE

## SSES - mobile equipment stand 16 gauge 430 stainless steel

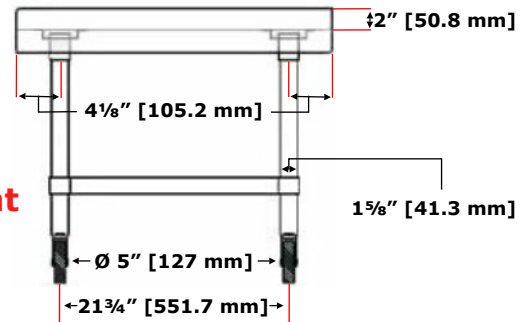


**Adjustable Shelf Height**



ACE STAINLESS STEEL  
EQUIPMENT STANDS

**Side View**



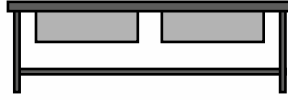
**AMERICAN  
CATERING  
EQUIPMENT**

AMERICAN CATERING EQUIPMENT (UK) LIMITED  
5 CHANTRY COURT  
SOVEREIGN WAY  
CHESTER WEST  
CHESTER CH1 4QN  
UNITED KINGDOM  
TELEPHONE: 44 (0) 1244 381281  
FAX: 44 (0) 1244 381700  
OFFICE: FSE@ACE-UK.COM  
PARTS: PARTS@ACE-UK.COM  
WEBSITE: WWW.ACE-UK.COM



BUILT STRONG - BUILT TOUGH

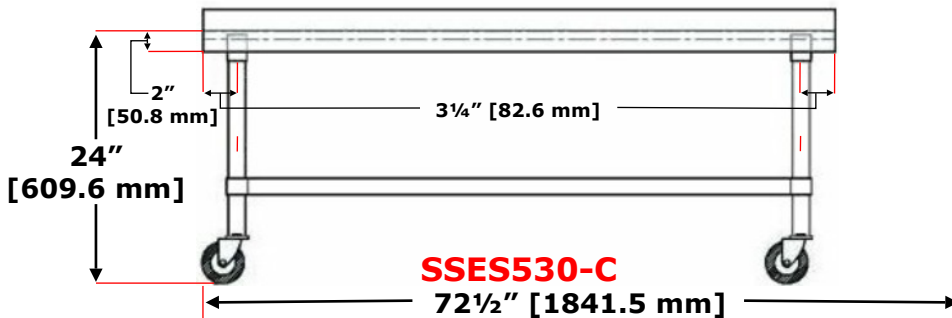
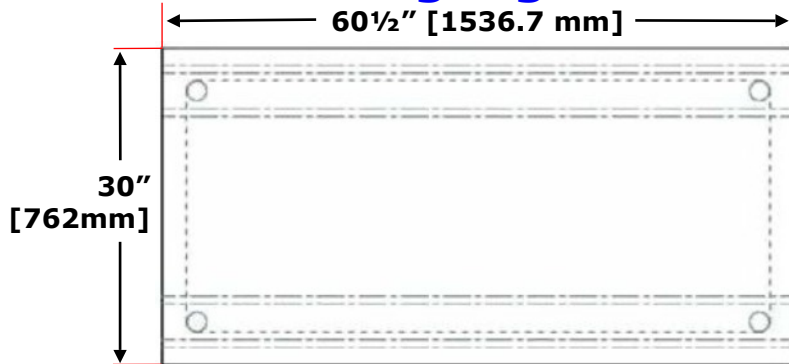
# STAINLESS STEEL EQUIPMENT



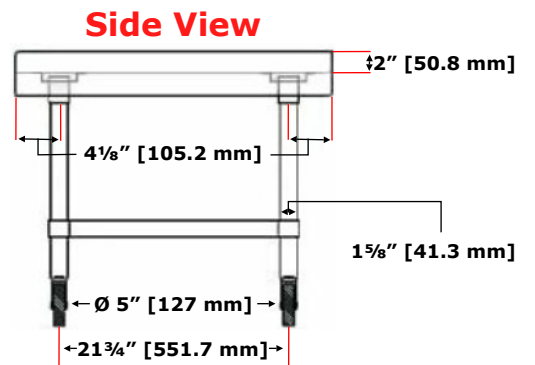
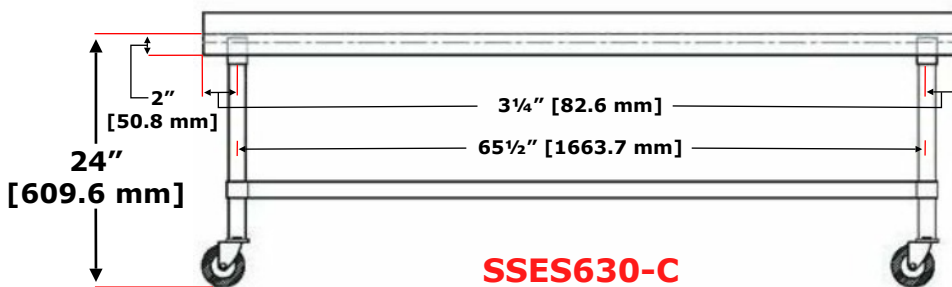
WWW.ACE-UK.COM

HEAVY DUTY  
INDUSTRIAL  
COMMERCIAL  
MEDICAL  
VETERINARY  
RETAIL  
WHOLESALE

## SSES - mobile equipment stand 16 gauge 430 stainless steel



Adjustable Shelf Height



Side View

**AMERICAN  
CATERING  
EQUIPMENT**

AMERICAN CATERING EQUIPMENT (UK) LIMITED  
5 CHANTRY COURT  
SOVEREIGN WAY  
CHESTER WEST  
CHESTER CH1 4QN  
UNITED KINGDOM  
TELEPHONE: 44 (0) 1244 381281  
FAX: 44 (0) 1244 381700  
OFFICE: FSE@ACE-UK.COM  
PARTS: PARTS@ACE-UK.COM  
WEBSITE: WWW.ACE-UK.COM

