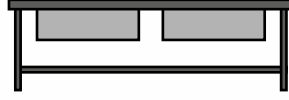


BUILT STRONG - BUILT TOUGH

STAINLESS STEEL EQUIPMENT



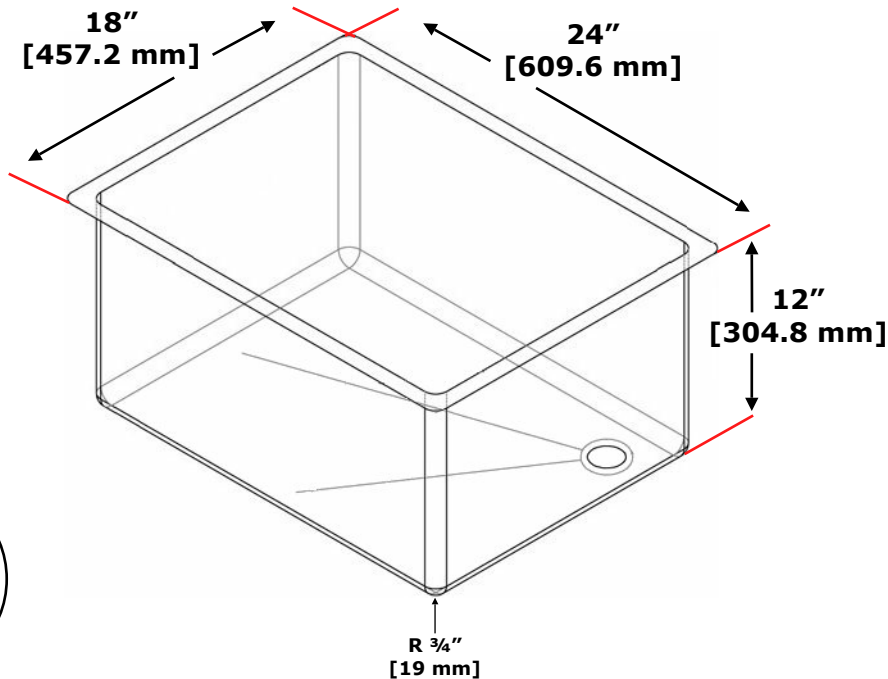
WWW.ACE-UK.COM

HEAVY DUTY
INDUSTRIAL
COMMERCIAL
MEDICAL
VETERINARY
RETAIL
WHOLESALE

SSBB218 - full size flanged sink bowl 18 gauge 304 stainless steel



ACE STAINLESS STEEL SINKS



Flange - 1" [25.4 mm]
Drain Hole - Ø 1 7/8" [48 mm]

**AMERICAN
CATERING
EQUIPMENT**

AMERICAN CATERING EQUIPMENT (UK) LIMITED
5 CHANTRY COURT
SOVEREIGN WAY
CHESTER WEST
CHESTER CH1 4QN
UNITED KINGDOM
TELEPHONE: 44 (0) 1244 381281
FAX: 44 (0) 1244 381700
OFFICE: FSE@ACE-UK.COM
PARTS: PARTS@ACE-UK.COM
WEBSITE: WWW.ACE-UK.COM

