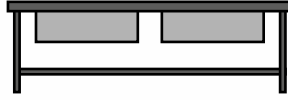


BUILT STRONG - BUILT TOUGH

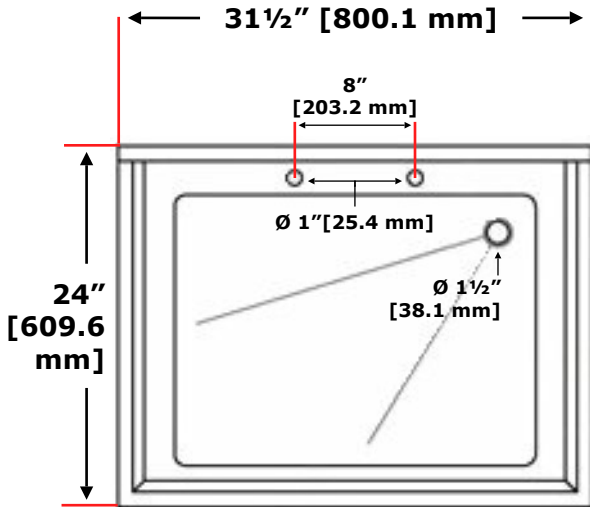
STAINLESS STEEL EQUIPMENT



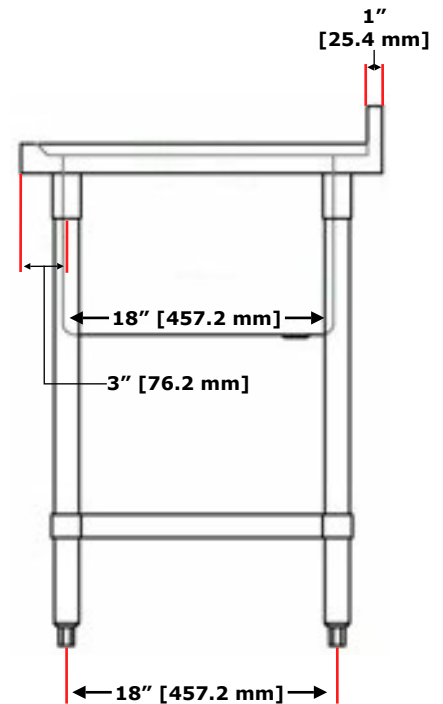
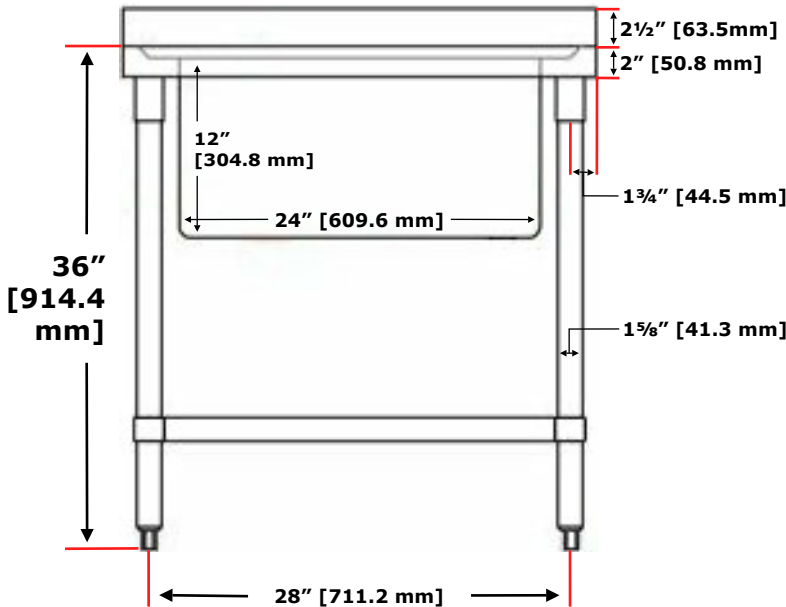
WWW.ACE-UK.COM

HEAVY DUTY
INDUSTRIAL
COMMERCIAL
MEDICAL
VETERINARY
RETAIL
WHOLESALE

SSB224-2 - single bowl sink without drainer 18 gauge 304 stainless steel



ACE STAINLESS STEEL SINKS



Adjustable Shelf Height

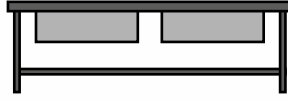
**AMERICAN
CATERING
EQUIPMENT**

AMERICAN CATERING EQUIPMENT (UK) LIMITED
5 CHANTRY COURT
SOVEREIGN WAY
CHESTER WEST
CHESTER CH1 4QN
UNITED KINGDOM
TELEPHONE: 44 (0) 1244 381281
FAX: 44 (0) 1244 381700
OFFICE: FSE@ACE-UK.COM
PARTS: PARTS@ACE-UK.COM
WEBSITE: WWW.ACE-UK.COM



BUILT STRONG - BUILT TOUGH

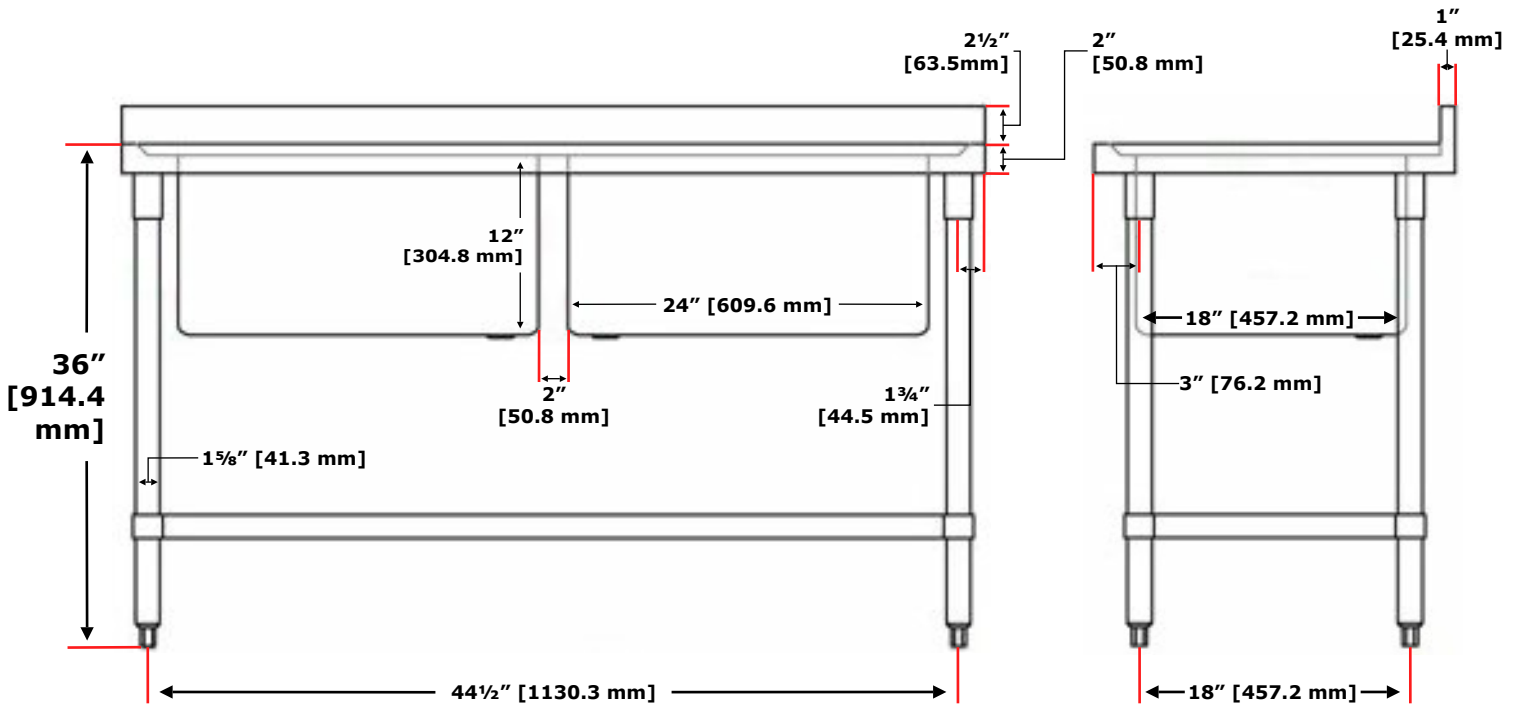
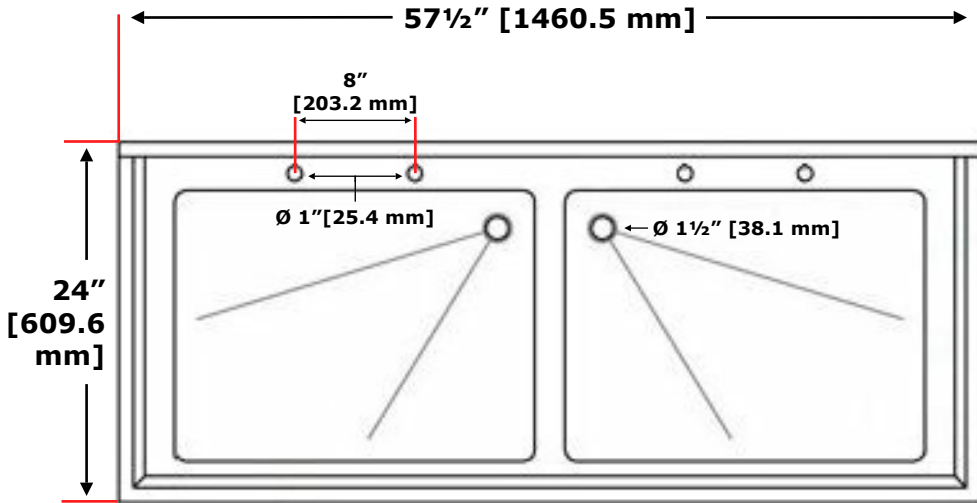
STAINLESS STEEL EQUIPMENT



WWW.ACE-UK.COM

HEAVY DUTY
INDUSTRIAL
COMMERCIAL
MEDICAL
VETERINARY
RETAIL
WHOLESALE

SSDB424-2 - double bowl sink without drainer 18 gauge 304 stainless steel



Adjustable Shelf Height

**AMERICAN
CATERING
EQUIPMENT**

AMERICAN CATERING EQUIPMENT (UK) LIMITED
 5 CHANTRY COURT
 SOVEREIGN WAY
 CHESTER WEST
 CHESTER CH1 4QN
 UNITED KINGDOM

TELEPHONE: 44 (0) 1244 381281
 FAX: 44 (0) 1244 381700
 OFFICE: FSE@ACE-UK.COM
 PARTS: PARTS@ACE-UK.COM
 WEBSITE: WWW.ACE-UK.COM

