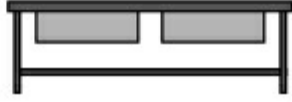


BUILT STRONG - BUILT TOUGH

# STAINLESS STEEL EQUIPMENT



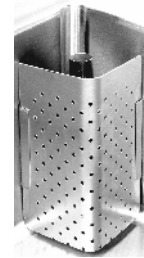
WWW.ACE-UK.COM

HEAVY DUTY  
INDUSTRIAL  
COMMERCIAL  
MEDICAL  
VETERINARY  
RETAIL  
WHOLESALE

**DOUBLE BOWL DOUBLE DRAINER SINKS** - adjustable position undershelf - **304 stainless steel**



SSDCB824-2-6 DOUBLE BOWL SINK  
ADJUSTABLE UNDERSHELF  
MXDL MIXER TAPS



CORNER DRAIN  
STAINLESS STEEL  
OVERFLOW PIPE  
AND  
WASTE GUARD



## ACE STAINLESS STEEL SINKS

Heavy duty quality, robust construction, good aesthetic style, safety finish is easy to maintain and keep clean. Suitable for any harsh hard working environment where high standard of hygiene is essential.

There are no exposed bolts, brackets or components. Designed for kitchens, food service areas, hospitals, laboratories, butchers, abattoirs, bakery, dairy, fishmonger, food processing, veterinary services and any other area where stringent standards are required.

The quality of these sinks is certified worldwide by:

- NSF** (National Sanitary Foundation)
- ANSI** (American National Standards Institute)
- SSC** (Standards Council of Canada)

Sink bowls are 610 x 457 mm [24" x 18"] and 305 mm [12"] deep. Corner drains with stainless steel overflow tubes and guards as standard.

Sinks are dispatched on a pallet ready for on site assembly.



**AMERICAN  
CATERING  
EQUIPMENT**

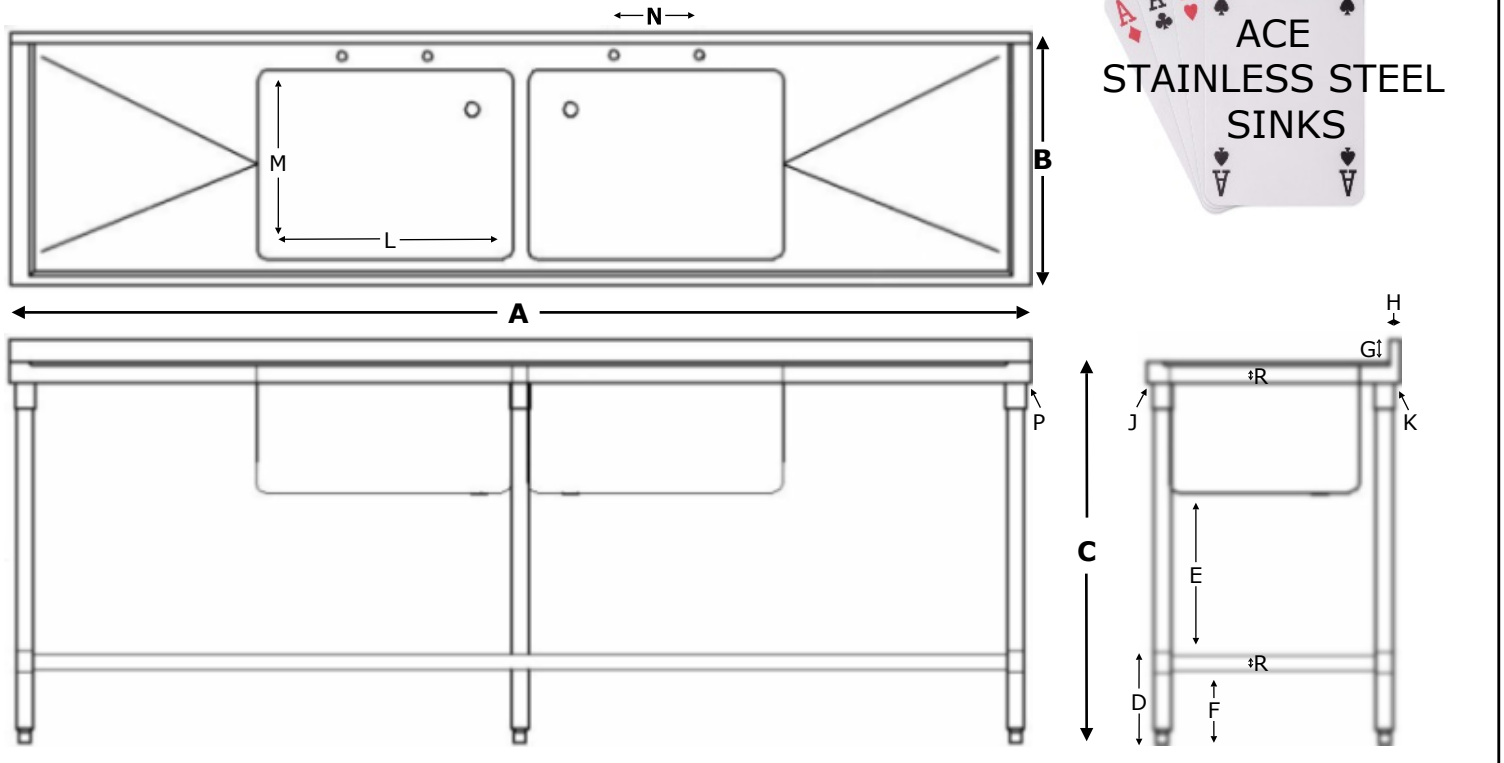
AMERICAN CATERING EQUIPMENT (UK) LIMITED  
5 CHANTRY COURT  
SOVEREIGN WAY  
CHESTER WEST  
CHESTER CH1 4QN  
UNITED KINGDOM  
TELEPHONE: 44 (0) 1244 381281  
FAX: 44 (0) 1244 381700  
OFFICE: FSE@ACE-UK.COM  
PARTS: PARTS@ACE-UK.COM  
WEBSITE: WWW.ACE-UK.COM



# DOUBLE BOWL DOUBLE DRAINER SINKS - SIX LEGS

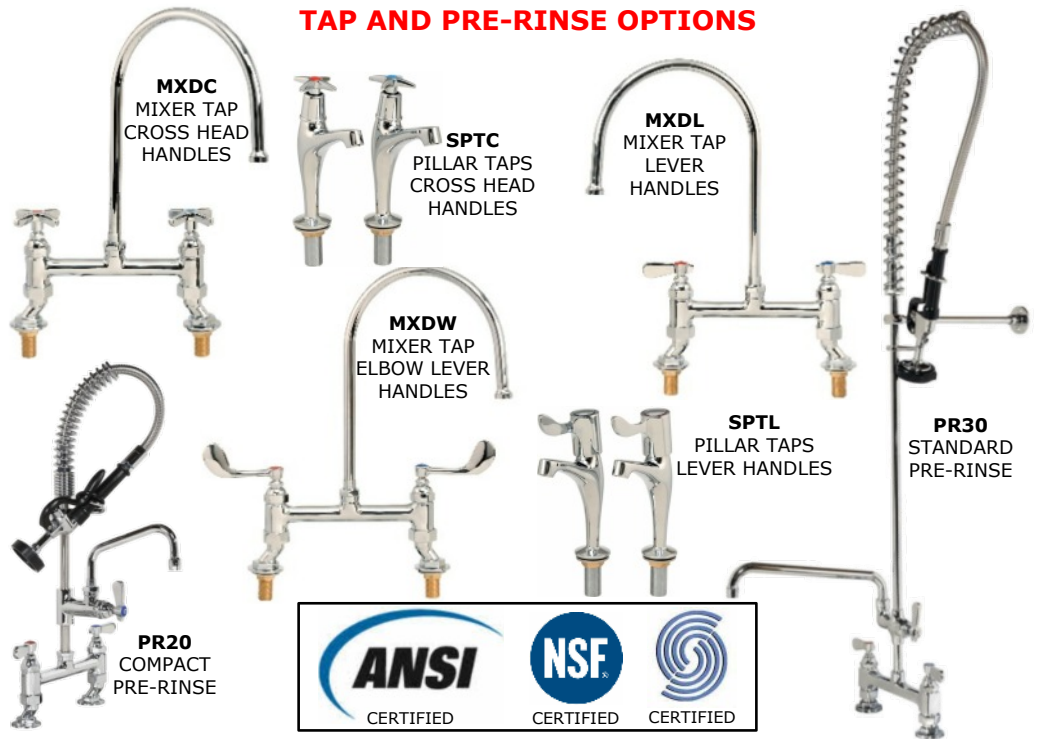
## adjustable position undershelf

### Technical Drawing



Dimensions		millimeters
Nominal length	A	2440
Nominal width	B	610
Height	C	914
Shelf height	D	Adjustable
Shelf clearance	E	Adjustable
Shelf clearance	F	Adjustable
Upstand height	G	50
Upstand tiling return	H	20
Top overhang - front	J	40
Top overhang - rear	K	50
Bowl length	L	610
Bowl width	M	457
Tap centers	N	204
Top overhang - ends	P	9
Top and shelf turndown	R	50
<b>Construction</b>		
Top	304 Stainless steel 1.2 mm (18 gauge)	
Stiffeners		
Undershelf		
Legs	304 Stainless steel tube 40 mm Ø	
Adjustable feet	304 Stainless steel	
<b>Nominal Pallet Dimensions</b>		
<b>2450 x 620 x 530 mm</b>		
<b>Pallet Weight</b>		
<b>77 kg</b>		

### TAP AND PRE-RINSE OPTIONS



Specifications subject to continuous improvement program

**AMERICAN  
CATERING  
EQUIPMENT**

AMERICAN CATERING EQUIPMENT (UK) LIMITED  
5 CHANTRY COURT  
SOVEREIGN WAY  
CHESTER WEST  
CHESTER CH1 4QN  
UNITED KINGDOM

TELEPHONE: 44 (0) 1244 381281  
FAX: 44 (0) 1244 381700  
OFFICE: FSE@ACE-UK.COM  
PARTS: PARTS@ACE-UK.COM  
WEBSITE: WWW.ACE-UK.COM

