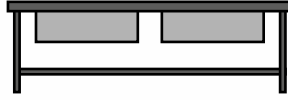


BUILT STRONG - BUILT TOUGH

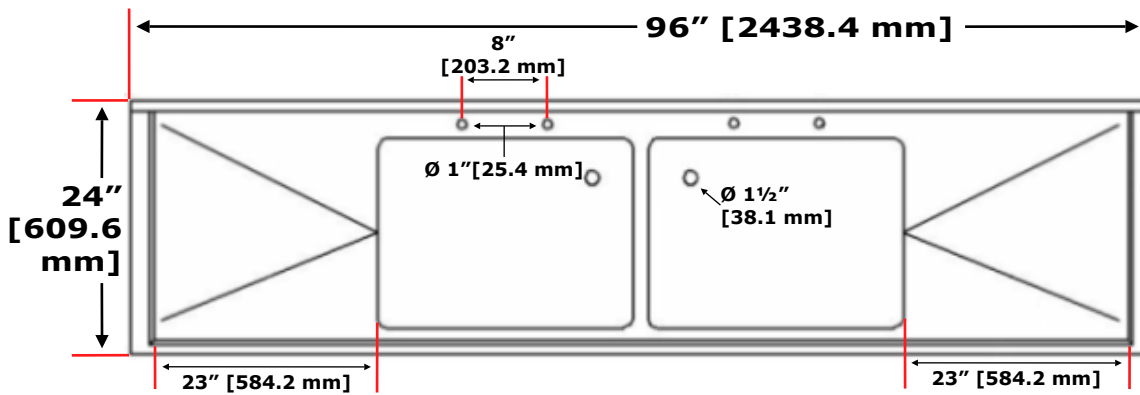
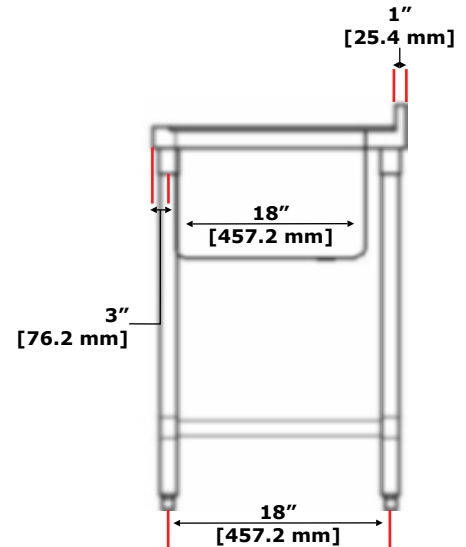
STAINLESS STEEL EQUIPMENT



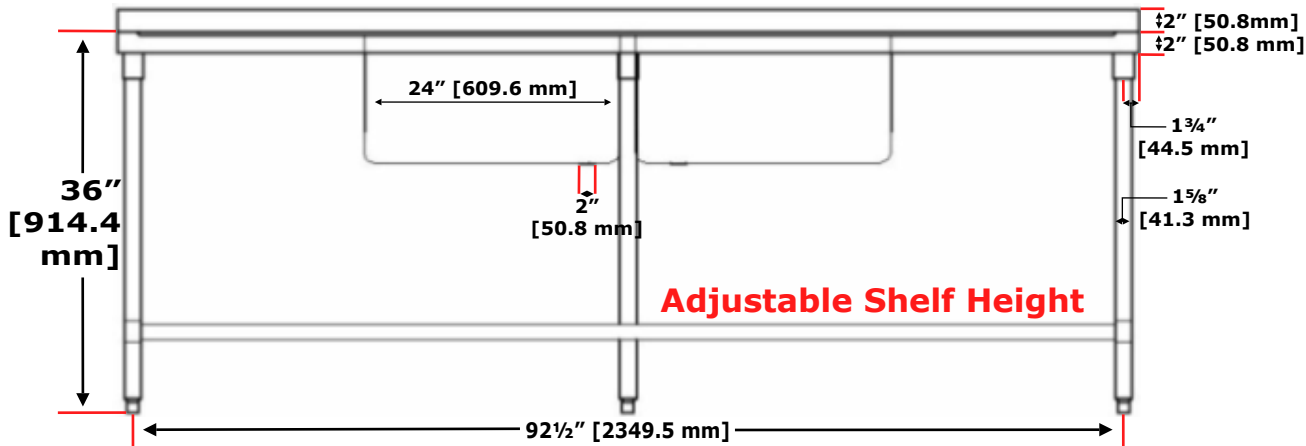
WWW.ACE-UK.COM

HEAVY DUTY
INDUSTRIAL
COMMERCIAL
MEDICAL
VETERINARY
RETAIL
WHOLESALE

SSDCB824-2-6 - double center bowl sink 18 gauge 304 stainless steel



SSDCB824-2-6
12" [304.8 mm]
extra deep bowls



Adjustable Shelf Height

**AMERICAN
CATERING
EQUIPMENT**

AMERICAN CATERING EQUIPMENT (UK) LIMITED
5 CHANTRY COURT
SOVEREIGN WAY
CHESTER WEST
CHESTER CH1 4QN
UNITED KINGDOM
TELEPHONE: 44 (0) 1244 381281
FAX: 44 (0) 1244 381700
OFFICE: FSE@ACE-UK.COM
PARTS: PARTS@ACE-UK.COM
WEBSITE: WWW.ACE-UK.COM

