

BUILT STRONG - BUILT TOUGH

STAINLESS STEEL EQUIPMENT



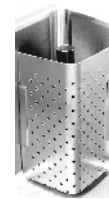
WWW.ACE-UK.COM

HEAVY DUTY
INDUSTRIAL
COMMERCIAL
MEDICAL
VETERINARY
RETAIL
WHOLESALE

DOUBLE BOWL DOUBLE DRAINER SINKS - adjustable position undershelf - **304 stainless steel**



ACE STAINLESS STEEL SINKS



**CORNER DRAIN
STAINLESS STEEL
OVERFLOW PIPE
AND
WASTE GUARD**

**SSDCB824-2 SINK
ADJUSTABLE UNDERSHELF
SPTC PILLAR TAPS
PR30 PRE-RINSE**

finish is environment

Heavy duty quality, robust construction, good aesthetic style, safety easy to maintain and keep clean. Suitable for any harsh hard working where high standard of hygiene is essential.

There are no exposed bolts, brackets or components. Designed for kitchens, food service areas, hospitals, laboratories, butchers, abattoirs, bakery, dairy, fishmonger, food processing, veterinary services and any other area where stringent standards are required.

The quality of these sinks is certified worldwide by:

- NSF** (National Sanitary Foundation)
- ANSI** (American National Standards Institute)
- SSC** (Standards Council of Canada)

Sink bowls are 610 x 457 mm [24" x 18"] and 305 mm [12"] or 255 mm [10"] deep. Corner drains with stainless steel overflow tubes and guards as standard.

Sinks are dispatched on a pallet ready for on site assembly.



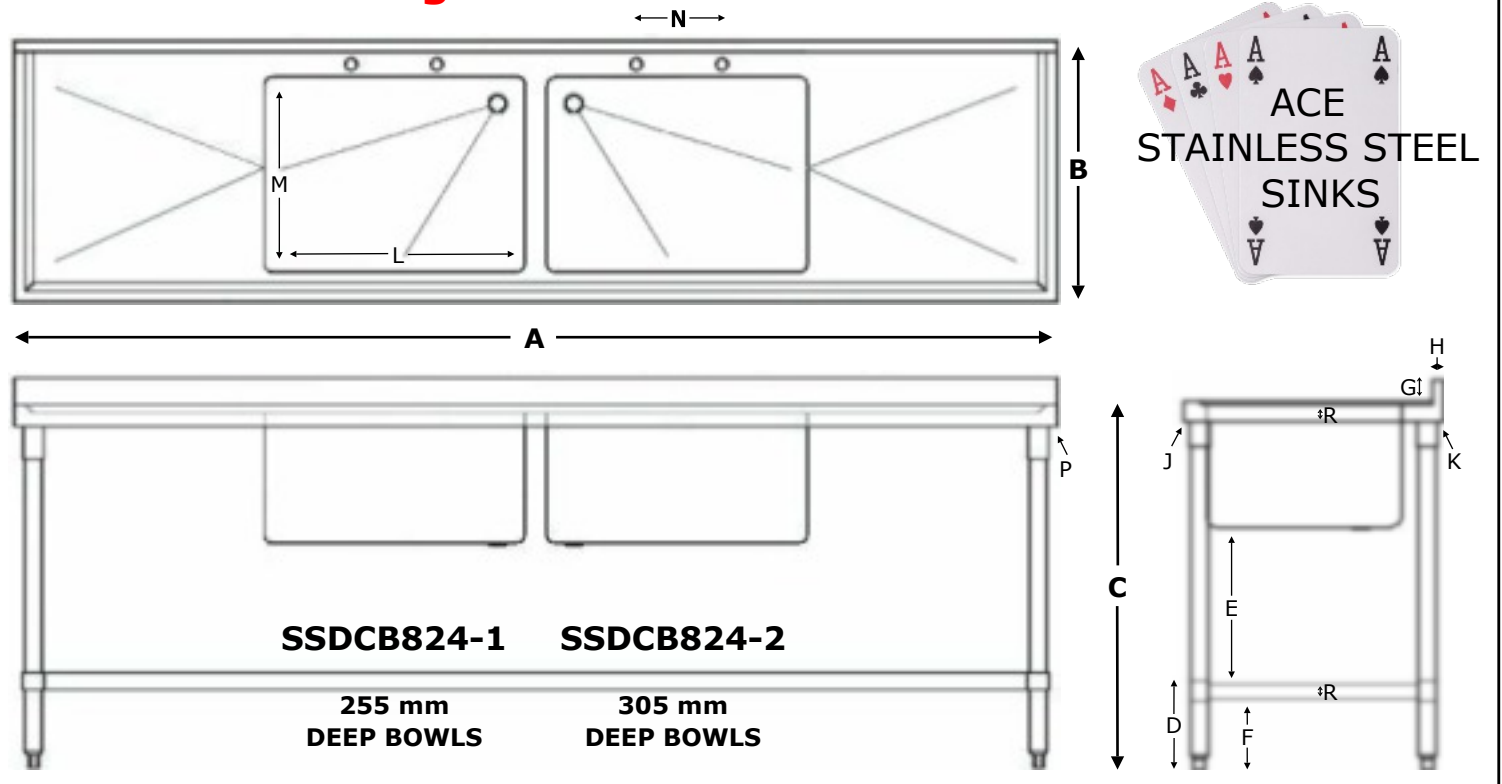
**AMERICAN
CATERING
EQUIPMENT**

AMERICAN CATERING EQUIPMENT (UK) LIMITED
5 CHANTRY COURT
SOVEREIGN WAY
CHESTER WEST
CHESTER CH1 4QN
UNITED KINGDOM
TELEPHONE: 44 (0) 1244 381281
FAX: 44 (0) 1244 381700
OFFICE: FSE@ACE-UK.COM
PARTS: PARTS@ACE-UK.COM
WEBSITE: WWW.ACE-UK.COM



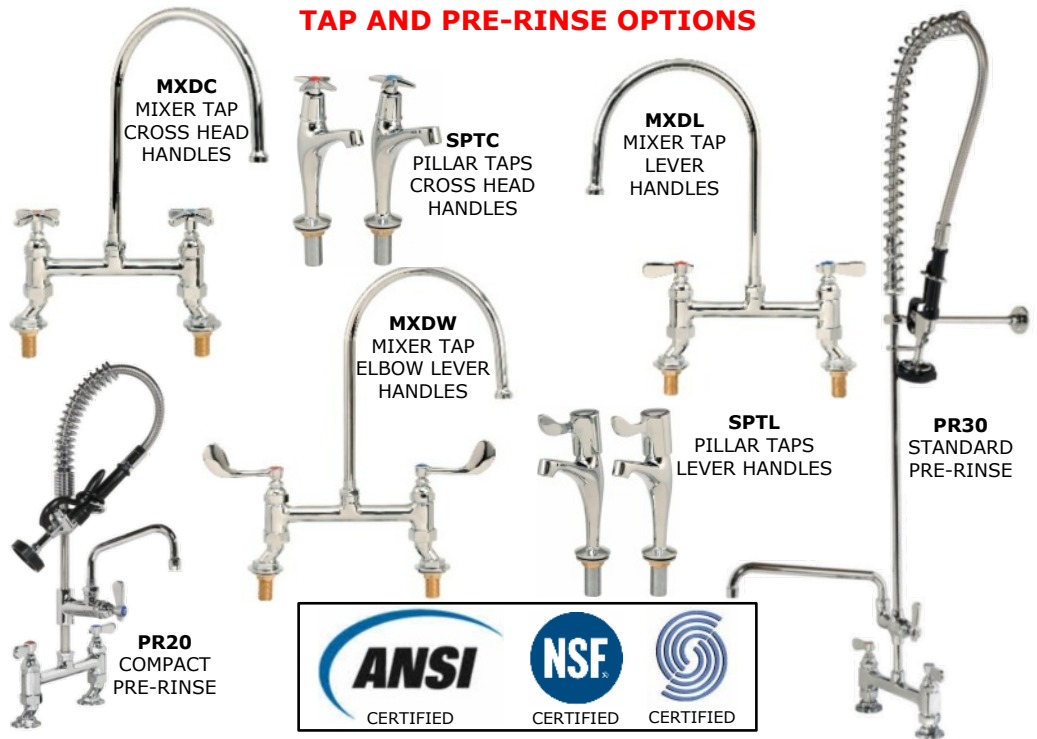
DOUBLE BOWL DOUBLE DRAINER SINKS

Technical Drawing



Dimensions		millimeters
Nominal length	A	2440
Nominal width	B	610
Height	C	914
Shelf height	D	Adjustable
Shelf clearance	E	Adjustable
Shelf clearance	F	Adjustable
Upstand height	G	50
Upstand tiling return	H	20
Top overhang - front	J	50
Top overhang - rear	K	50
Bowl Length	L	610
Bowl Width	M	457
Tap centers	N	204
Top overhang - ends	P	22
Top and shelf turndown	R	50
Construction		
Top	304 Stainless steel 1.2 mm	
Stiffeners	(18 gauge)	
Undershelf		
Legs	304 Stainless steel tube 40 mm Ø	
Adjustable feet	304 Stainless steel	
Nominal Pallet Dimensions		
2450 x 620 x 530 mm		
Pallet Weight		
72 kg		

TAP AND PRE-RINSE OPTIONS



Specifications subject to continuous improvement program

**AMERICAN
CATERING
EQUIPMENT**

AMERICAN CATERING EQUIPMENT (UK) LIMITED
5 CHANTRY COURT
SOVEREIGN WAY
CHESTER WEST
CHESTER CH1 4QN
UNITED KINGDOM

TELEPHONE: 44 (0) 1244 381281
FAX: 44 (0) 1244 381700
OFFICE: FSE@ACE-UK.COM
PARTS: PARTS@ACE-UK.COM
WEBSITE: WWW.ACE-UK.COM

