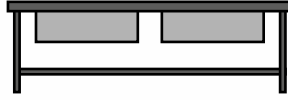


BUILT STRONG - BUILT TOUGH

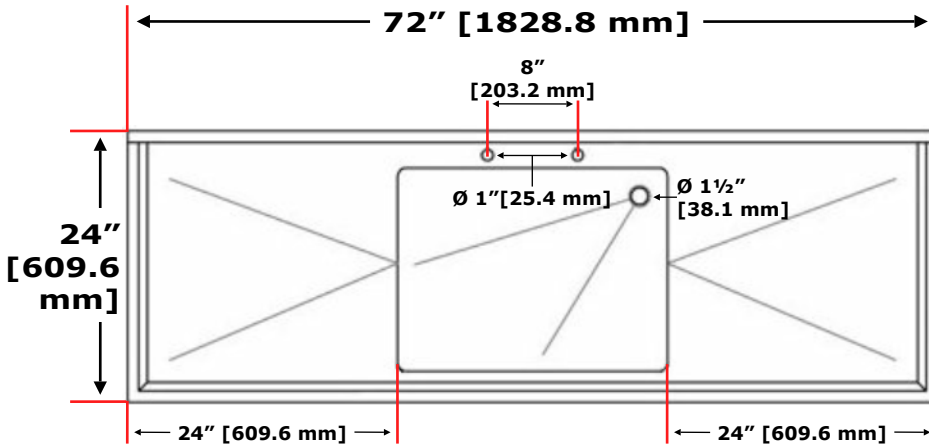
# STAINLESS STEEL EQUIPMENT



WWW.ACE-UK.COM

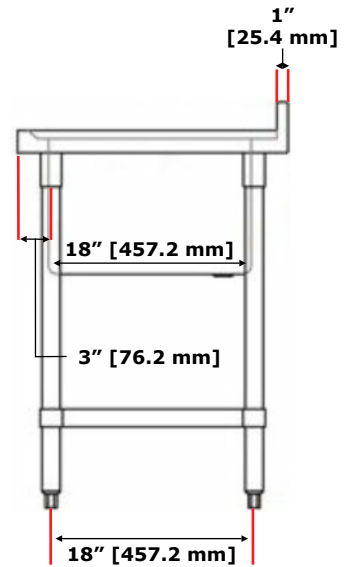
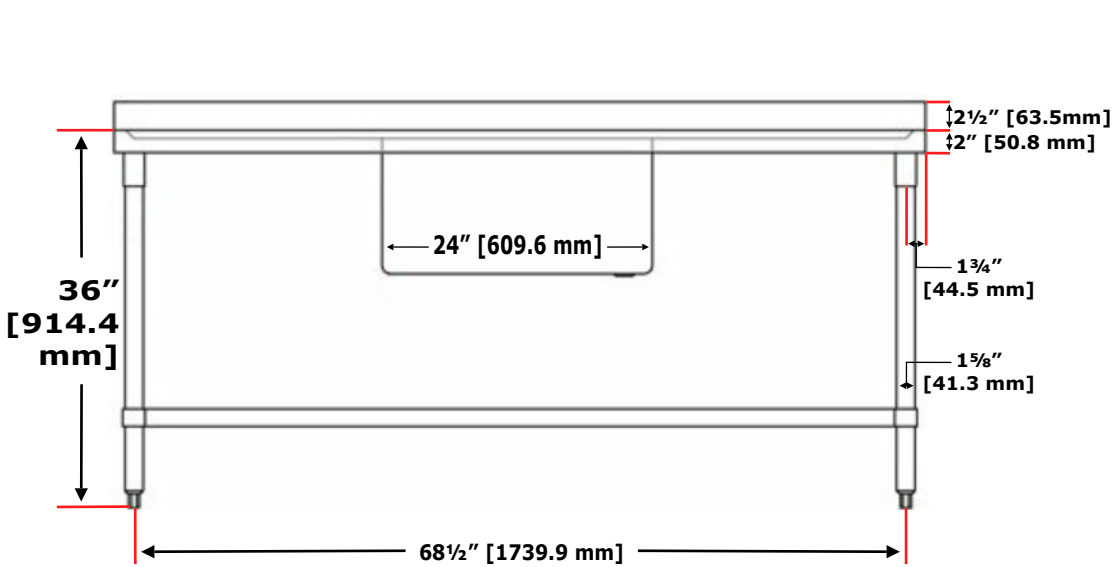
HEAVY DUTY  
INDUSTRIAL  
COMMERCIAL  
MEDICAL  
VETERINARY  
RETAIL  
WHOLESALE

## SSCB - single center bowl sink 18 gauge 304 stainless steel



**SSCB624-1**  
**10" [254 mm]**  
**deep bowl**

**SSCB624-2**  
**12" [304.8 mm]**  
**extra deep bowl**



**Adjustable Shelf Height**



ACE STAINLESS STEEL SINKS

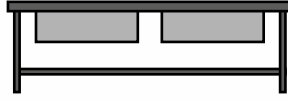
**AMERICAN  
CATERING  
EQUIPMENT**

AMERICAN CATERING EQUIPMENT (UK) LIMITED  
5 CHANTRY COURT  
SOVEREIGN WAY  
CHESTER WEST  
CHESTER CH1 4QN  
UNITED KINGDOM  
TELEPHONE: 44 (0) 1244 381281  
FAX: 44 (0) 1244 381700  
OFFICE: FSE@ACE-UK.COM  
PARTS: PARTS@ACE-UK.COM  
WEBSITE: WWW.ACE-UK.COM



BUILT STRONG - BUILT TOUGH

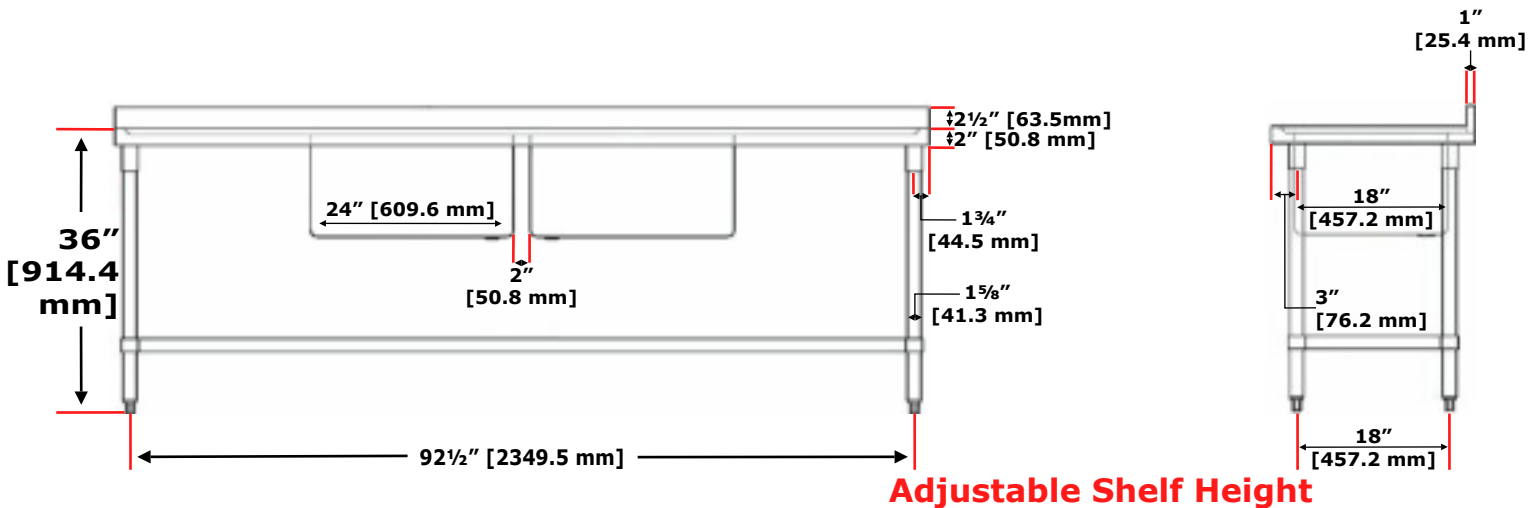
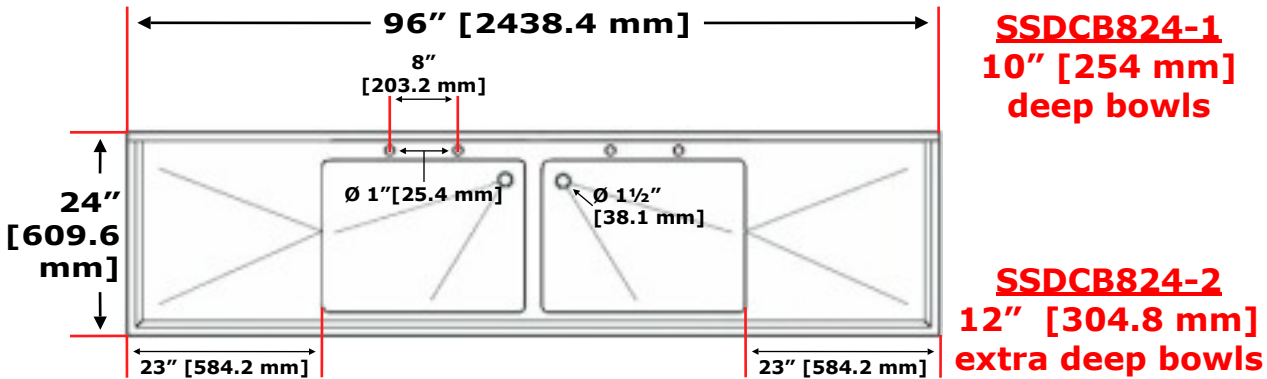
# STAINLESS STEEL EQUIPMENT



WWW.ACE-UK.COM

HEAVY DUTY  
INDUSTRIAL  
COMMERCIAL  
MEDICAL  
VETERINARY  
RETAIL  
WHOLESALE

## SSDCB - double center bowl sink 18 gauge 304 stainless steel



ACE STAINLESS STEEL SINKS



**AMERICAN  
CATERING  
EQUIPMENT**

AMERICAN CATERING EQUIPMENT (UK) LIMITED  
5 CHANTRY COURT  
SOVEREIGN WAY  
CHESTER WEST  
CHESTER CH1 4QN  
UNITED KINGDOM  
TELEPHONE: 44 (0) 1244 381281  
FAX: 44 (0) 1244 381700  
OFFICE: FSE@ACE-UK.COM  
PARTS: PARTS@ACE-UK.COM  
WEBSITE: WWW.ACE-UK.COM

