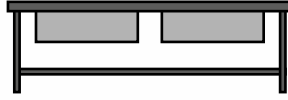


BUILT STRONG - BUILT TOUGH

STAINLESS STEEL EQUIPMENT



WWW.ACE-UK.COM

HEAVY DUTY
INDUSTRIAL
COMMERCIAL
MEDICAL
VETERINARY
RETAIL
WHOLESALE

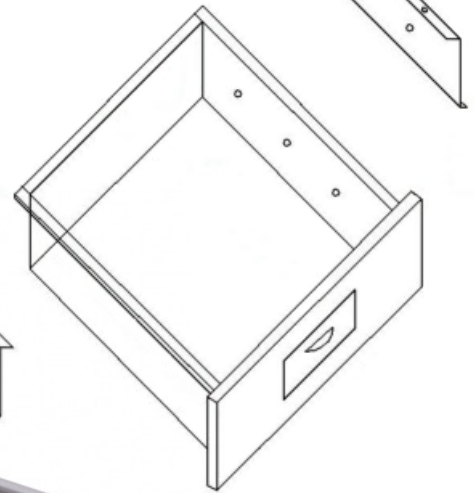
DRAWER - SSSDR

ASSEMBLY INSTRUCTIONS

CARTON CONTENTS

- 1 X DRAWER
- 2 X BRACKETS

ACE STAINLESS STEEL DRAWERS



**AMERICAN
CATERING
EQUIPMENT**

AMERICAN CATERING EQUIPMENT (UK) LIMITED
5 CHANTRY COURT
SOVEREIGN WAY
CHESTER WEST
CHESTER CH1 4QN
UNITED KINGDOM
TELEPHONE: 44 (0) 1244 381281
FAX: 44 (0) 1244 381700
OFFICE: FSE@ACE-UK.COM
PARTS: PARTS@ACE-UK.COM
WEBSITE: WWW.ACE-UK.COM



DRAWER - SDDR

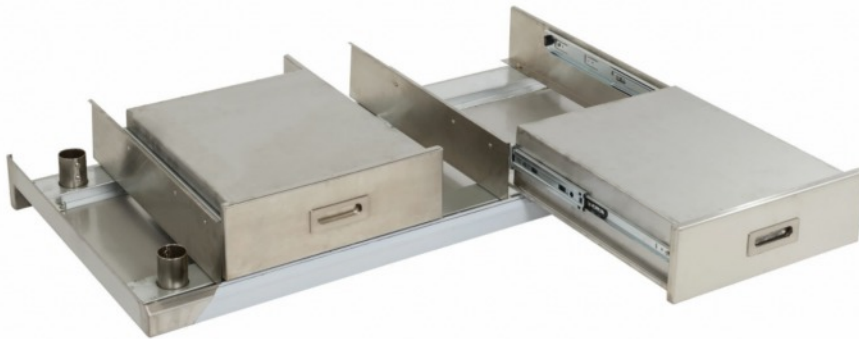
ASSEMBLY INSTRUCTIONS



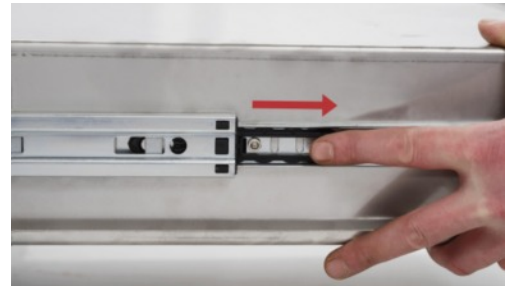
Place worktop on flat surface underside up

Position drawer brackets over pre-fitted sockets and secure with bolts provided

For retro-fit place drawer fitted to brackets upside down on underside of table
mark holes, drill and secure using self-tapping bolts provided



Slide drawer into brackets
This is best done after table has been returned to upright position



To remove drawer from brackets
1. Pull drawer out fully
2. Pull plastic clip either side and remove

ACE STAINLESS STEEL DRAWERS



JANUARY 2016

**AMERICAN
CATERING
EQUIPMENT**

AMERICAN CATERING EQUIPMENT (UK) LIMITED
5 CHANTRY COURT
SOVEREIGN WAY
CHESTER WEST
CHESTER CH1 4QN
UNITED KINGDOM
TELEPHONE: 44 (0) 1244 381281
FAX: 44 (0) 1244 381700
OFFICE: FSE@ACE-UK.COM
PARTS: PARTS@ACE-UK.COM
WEBSITE: WWW.ACE-UK.COM

