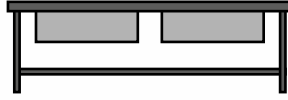


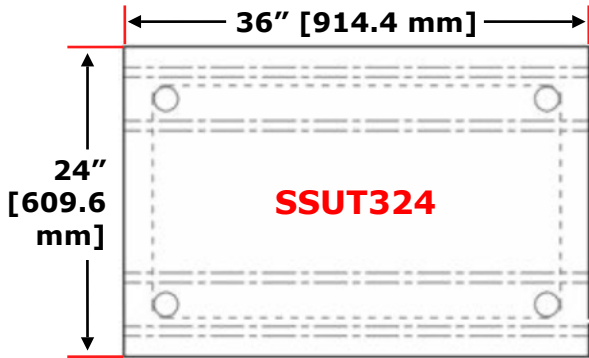
BUILT STRONG - BUILT TOUGH

STAINLESS STEEL EQUIPMENT

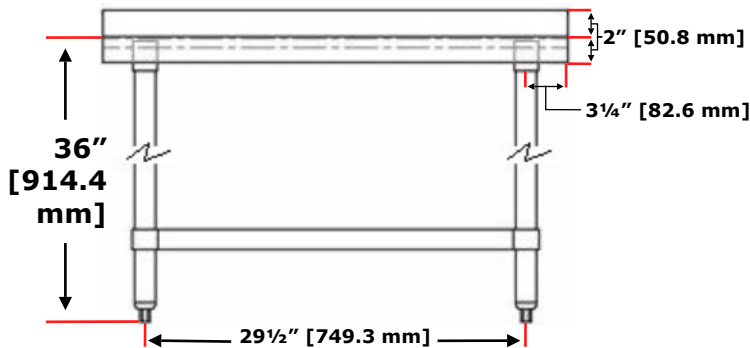


WWW.ACE-UK.COM

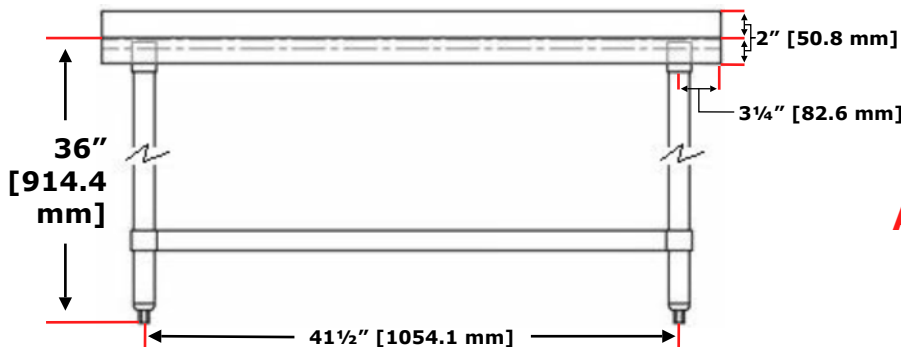
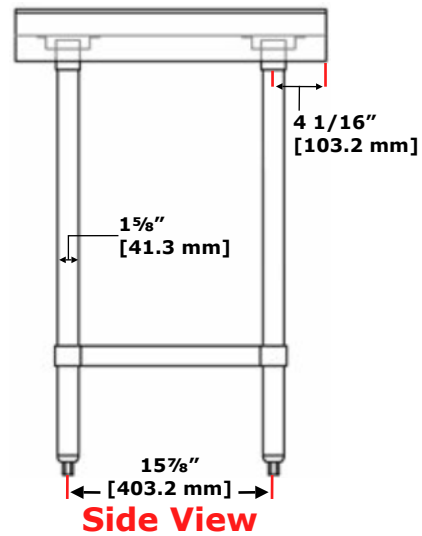
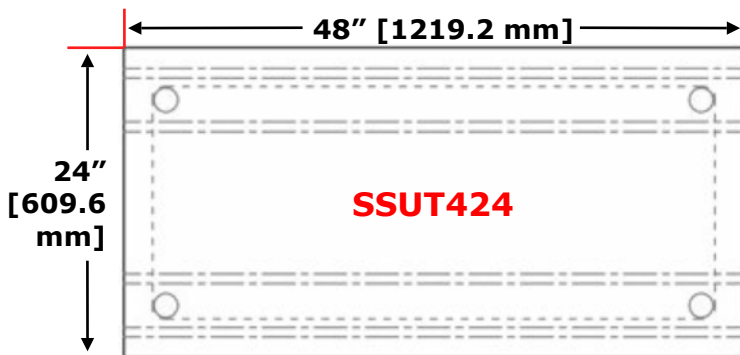
HEAVY DUTY
INDUSTRIAL
COMMERCIAL
MEDICAL
VETERINARY
RETAIL
WHOLESALE



SSUT - preparation table 16 gauge 304 stainless steel



ACE STAINLESS STEEL TABLES



Adjustable Shelf Height

All Tables will accept
Extra Shelf

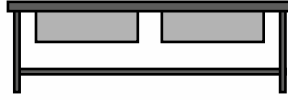
**AMERICAN
CATERING
EQUIPMENT**

AMERICAN CATERING EQUIPMENT (UK) LIMITED
5 CHANTRY COURT
SOVEREIGN WAY
CHESTER WEST
CHESTER CH1 4QN
UNITED KINGDOM
TELEPHONE: 44 (0) 1244 381281
FAX: 44 (0) 1244 381700
OFFICE: FSE@ACE-UK.COM
PARTS: PARTS@ACE-UK.COM
WEBSITE: WWW.ACE-UK.COM



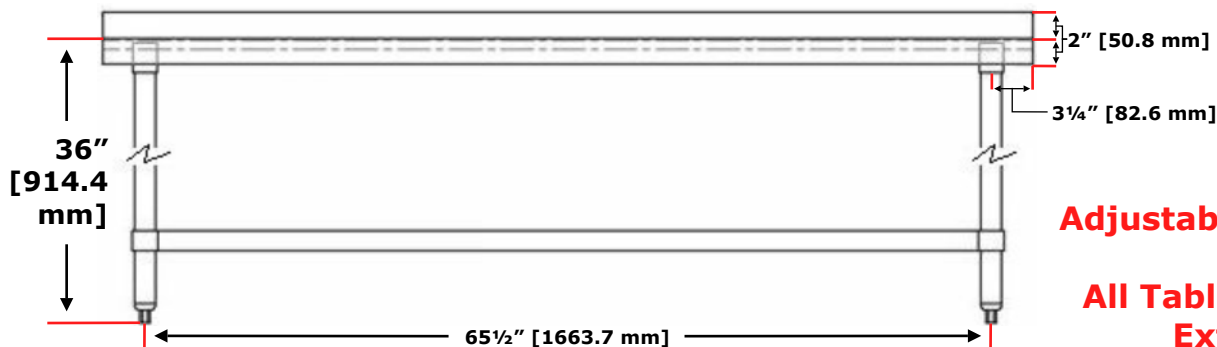
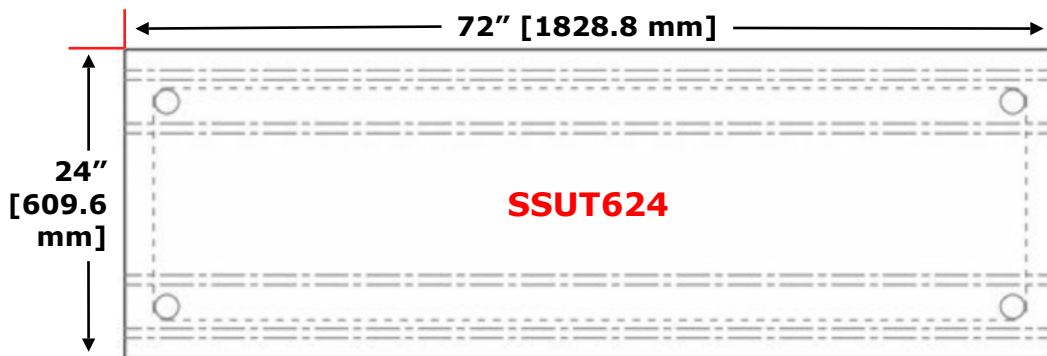
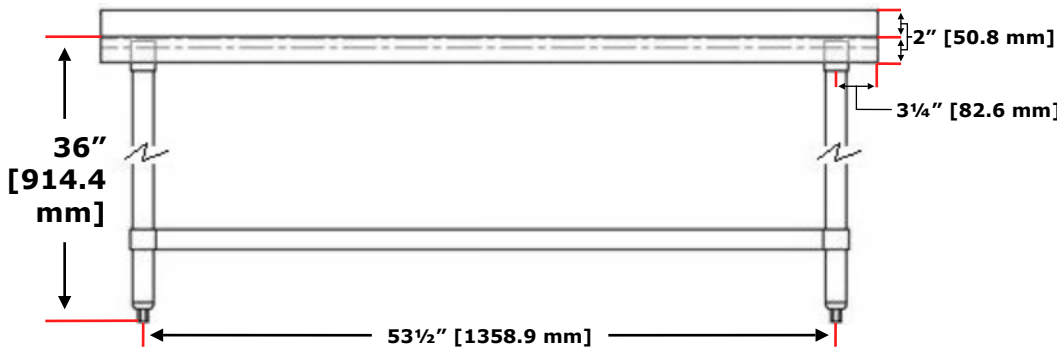
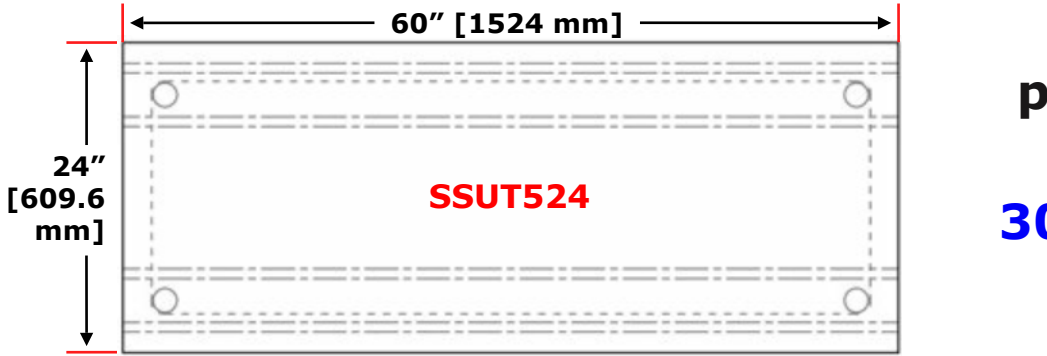
BUILT STRONG - BUILT TOUGH

STAINLESS STEEL EQUIPMENT



WWW.ACE-UK.COM

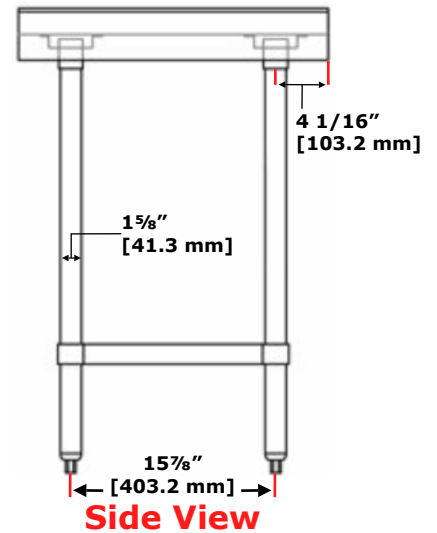
HEAVY DUTY
INDUSTRIAL
COMMERCIAL
MEDICAL
VETERINARY
RETAIL
WHOLESALE



SSUT
preparation table
16 gauge
304 stainless steel



ACE STAINLESS
STEEL TABLES



Adjustable Shelf Height

**All Tables will accept
Extra Shelf**

**AMERICAN
CATERING
EQUIPMENT**

AMERICAN CATERING EQUIPMENT (UK) LIMITED
5 CHANTRY COURT
SOVEREIGN WAY
CHESTER WEST
CHESTER CH1 4QN
UNITED KINGDOM
TELEPHONE: 44 (0) 1244 381281
FAX: 44 (0) 1244 381700
OFFICE: FSE@ACE-UK.COM
PARTS: PARTS@ACE-UK.COM
WEBSITE: WWW.ACE-UK.COM

