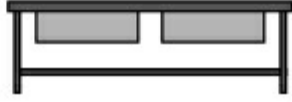


BUILT STRONG - BUILT TOUGH

# STAINLESS STEEL EQUIPMENT



WWW.ACE-UK.COM

HEAVY DUTY  
INDUSTRIAL  
COMMERCIAL  
MEDICAL  
VETERINARY  
RETAIL  
WHOLESALE

**CORNER TABLES** - adjustable position undershelf - 304 stainless steel



**SSCN30 CORNER TABLE**  
ADJUSTABLE UNDERSHELF  
STAINLESS STEEL BULLET FEET



ACE STAINLESS STEEL TABLES



SEAMLESS UPSTAND



**SSCN30 CORNER TABLE**  
ADJUSTABLE UNDERSHELF  
STAINLESS STEEL BULLET FEET

Heavy duty quality, robust construction, good aesthetic style, safety finish is easy to maintain and keep clean. Suitable for any harsh hard working environment where high standard of hygiene is essential.

There are no exposed bolts, brackets or components, available with seamless upstands to rear. Designed for kitchens, food service areas, hospitals, laboratories, butchers, abattoirs, bakery, dairy, fishmonger, food processing, veterinary services and any other area where stringent standards are required.

The quality of these tables is certified worldwide by:

- NSF** (National Sanitary Foundation)
- ANSI** (American National Standards Institute)
- SSC** (Standards Council of Canada)

**SSCN** corner table available in two sizes enabling right or left table corner.

### Optional Extras

**FF** - Stainless Steel Bolt Down Flanged Feet - 3½" (90 mm) flange

All tables are dispatched in easy to handle and store cartons ready for on site assembly.



**AMERICAN  
CATERING  
EQUIPMENT**

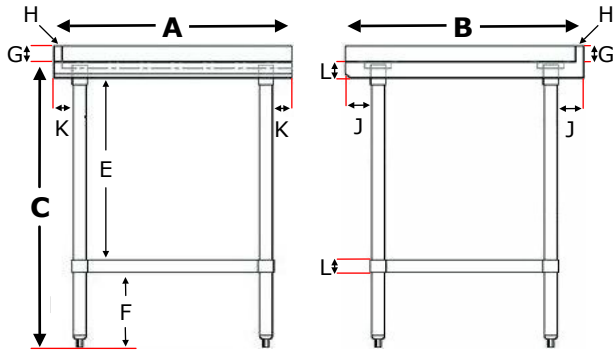
AMERICAN CATERING EQUIPMENT (UK) LIMITED  
5 CHANTRY COURT  
SOVEREIGN WAY  
CHESTER WEST  
CHESTER CH1 4QN  
UNITED KINGDOM  
TELEPHONE: 44 (0) 1244 381281  
FAX: 44 (0) 1244 381700  
OFFICE: FSE@ACE-UK.COM  
PARTS: PARTS@ACE-UK.COM  
WEBSITE: WWW.ACE-UK.COM



# CORNER TABLES - LEFT OR RIGHT HAND

## adjustable position undershelf

### Technical Drawing



### Corner Position

<b>SSCN24</b> or <b>SSCN30</b>	<b>SSWB</b> 24 or 30	<b>SSWB</b> 24 or 30	<b>SSCN24</b> or <b>SSCN30</b>
<b>SSWB</b> 24 or 30	Left Hand Corner	Right Hand Corner	<b>SSWB</b> 24 or 30

Dimensions	millimeters	SSCN30	SSCN24
Nominal length	A	762	610
Nominal width	B	762	610
Height	C	914	
Shelf height	D	Adjustable	
Shelf clearance	E	Adjustable	
Shelf clearance	F	Adjustable	
Upstand height	G	50	
Upstand tiling return	H	25	
Top overhang - front & Rear	J	82	
Top overhang - sides	K	62	
Top and shelf turndown	L	50	

Construction	
Top	304 Stainless steel 1.5 mm (16 gauge)
Top stiffeners	Galvanized steel 1.5 mm
Undershelf	Galvanized steel 1.2 mm
Legs	304 Stainless steel tube 40 mm Ø
Adjustable feet	304 Stainless steel

Load Capacity	
<b>SSCN24</b>	272 kg
<b>SSCN30</b>	295 kg

Nominal Packed Dimensions	
<b>SSCN24</b>	920 x 720 x 140
<b>SSCN30</b>	920 x 880 x 140
Approximate Packed Weight	
<b>SSCN24</b>	18 kg
<b>SSCN30</b>	22 kg
Optional Extras	
<b>FF</b>	Set of 4 bolt down flanged feet 304 stainless steel



Specifications subject to continuous improvement program



AMERICAN CATERING EQUIPMENT (UK) LIMITED  
 5 CHANTRY COURT  
 SOVEREIGN WAY  
 CHESTER WEST  
 CHESTER CH1 4QN  
 UNITED KINGDOM

TELEPHONE: 44 (0) 1244 381281  
 FAX: 44 (0) 1244 381700  
 OFFICE: FSE@ACE-UK.COM  
 PARTS: PARTS@ACE-UK.COM  
 WEBSITE: WWW.ACE-UK.COM

