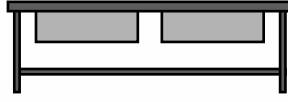


BUILT STRONG - BUILT TOUGH

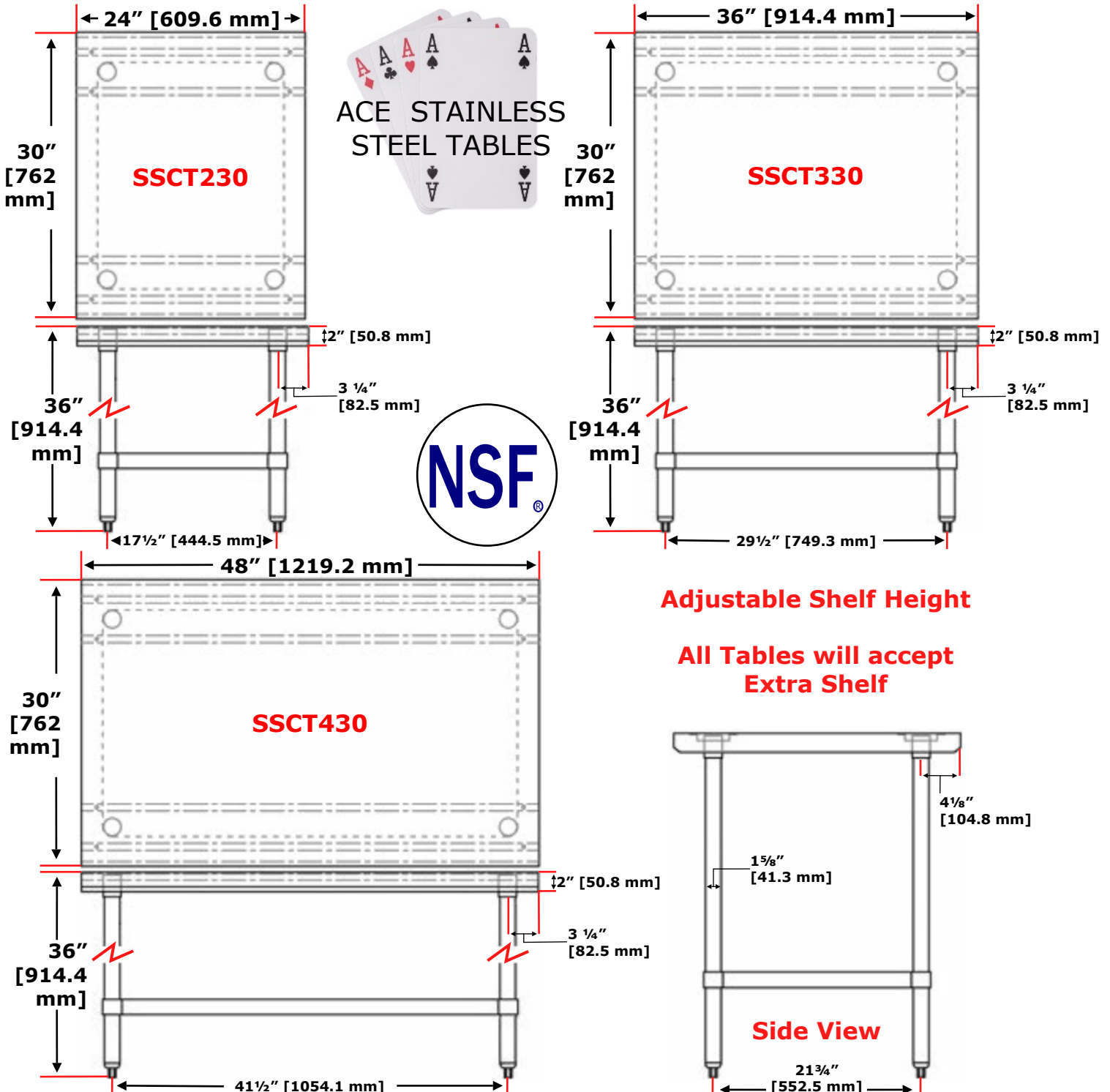
# STAINLESS STEEL EQUIPMENT



HEAVY DUTY  
INDUSTRIAL  
COMMERCIAL  
MEDICAL  
VETERINARY  
RETAIL  
WHOLESALE

WWW.ACE-UK.COM

## SSCT - center table - 16 gauge 304 stainless steel



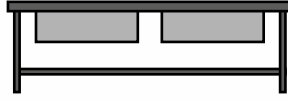
**AMERICAN  
CATERING  
EQUIPMENT**

AMERICAN CATERING EQUIPMENT (UK) LIMITED  
5 CHANTRY COURT  
SOVEREIGN WAY  
CHESTER WEST  
CHESTER CH1 4QN  
UNITED KINGDOM  
TELEPHONE: 44 (0) 1244 381281  
FAX: 44 (0) 1244 381700  
OFFICE: FSE@ACE-UK.COM  
PARTS: PARTS@ACE-UK.COM  
WEBSITE: WWW.ACE-UK.COM



BUILT STRONG - BUILT TOUGH

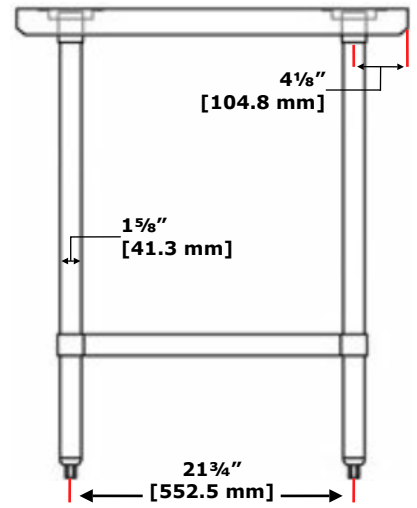
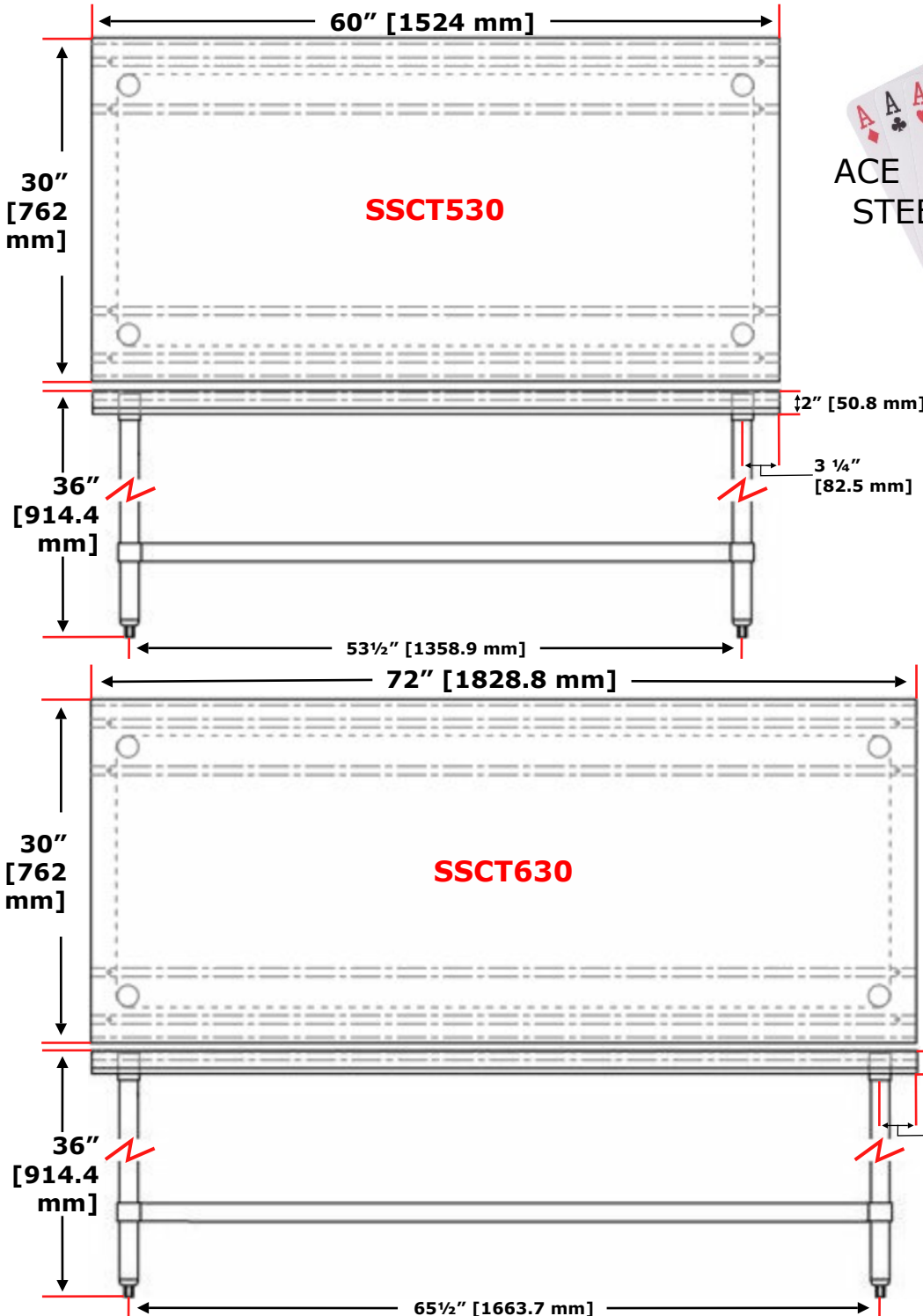
# STAINLESS STEEL EQUIPMENT



WWW.ACE-UK.COM

HEAVY DUTY  
INDUSTRIAL  
COMMERCIAL  
MEDICAL  
VETERINARY  
RETAIL  
WHOLESALE

## SSCT - center table - 16 gauge 304 stainless steel



**Adjustable Shelf Height**

**All Tables will accept Extra Shelf**

**AMERICAN CATERING EQUIPMENT**

AMERICAN CATERING EQUIPMENT (UK) LIMITED  
 5 CHANTRY COURT  
 SOVEREIGN WAY  
 CHESTER WEST  
 CHESTER CHI 4QN  
 UNITED KINGDOM

TELEPHONE: 44 (0) 1244 381281  
 FAX: 44 (0) 1244 381700  
 OFFICE: FSE@ACE-UK.COM  
 PARTS: PARTS@ACE-UK.COM  
 WEBSITE: WWW.ACE-UK.COM

