

BUILT STRONG - BUILT TOUGH

STAINLESS STEEL EQUIPMENT



WWW.ACE-UK.COM

HEAVY DUTY
INDUSTRIAL
COMMERCIAL
MEDICAL
VETERINARY
RETAIL
WHOLESALE

CENTER TABLES - adjustable position undershelf or clear under - **304 stainless steel**



SSCT224 - SSCT324 - SSCT424 - SSCT524 TOPS

SSCT624 CENTER TABLE
ADJUSTABLE HEIGHT UNDERSHELF
STAINLESS STEEL BULLET FEET



SSCTC330 CENTER TABLE
ADJUSTABLE HEIGHT TIE-BAR
STAINLESS STEEL BULLET FEET



SSCT324 CENTER TABLE
2 X ADJUSTABLE HEIGHT SHELF
STAINLESS STEEL BULLET FEET

Heavy duty quality, robust construction, good aesthetic style, safety finish is easy to maintain and keep clean. Suitable for any harsh hard working environment where high standard of hygiene is essential.

There are no exposed bolts, brackets or components. Designed for kitchens, food service areas, hospitals, laboratories, butchers, abattoirs, bakery, dairy, fishmonger, food processing, veterinary services and any other area where stringent standards are required.

The quality of these tables is certified worldwide by:

- NSF** (National Sanitary Foundation)
- ANSI** (American National Standards Institute)
- SSC** (Standards Council of Canada)



SSCT centre table available in five lengths and two widths.

All tables are dispatched in easy to handle and store cartons ready for on site assembly



**AMERICAN
CATERING
EQUIPMENT**

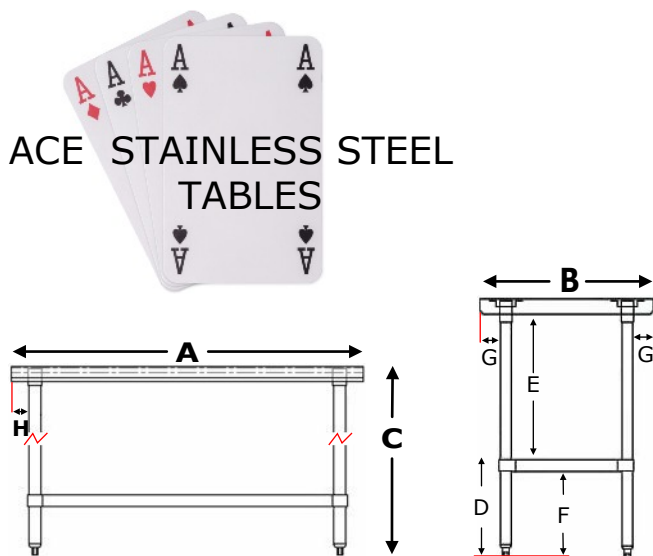
AMERICAN CATERING EQUIPMENT (UK) LIMITED
5 CHANTRY COURT
SOVEREIGN WAY
CHESTER WEST
CHESTER CH1 4QN
UNITED KINGDOM
TELEPHONE: 44 (0) 1244 381281
FAX: 44 (0) 1244 381700
OFFICE: FSE@ACE-UK.COM
PARTS: PARTS@ACE-UK.COM
WEBSITE: WWW.ACE-UK.COM



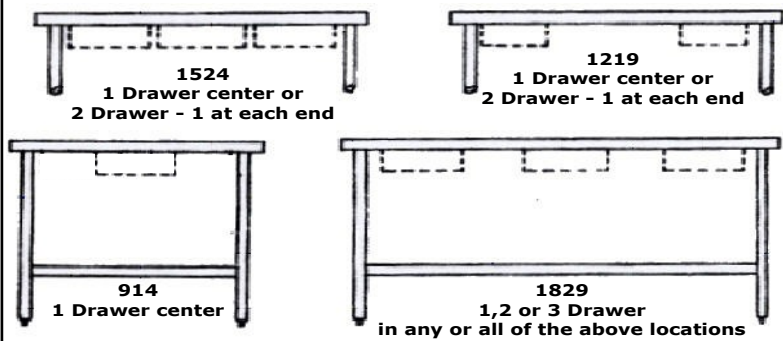
CENTER TABLES

adjustable position undershelf or clear under

Technical Drawing



Drawer Position



Model numbers for ordering:

Please quote Model number when ordering, e.g.
SSCT424 is center table with adjustable undershelf
 1219 mm long, 610 mm deep and 914 mm high

SSCTC630 is center table with adjustable tie-bar
 1829 mm long, 762 mm deep and 914 mm high

Dimensions		millimeters				
Nominal length	A	610	914	1219	1524	1829
Nominal width	B	610 or 762				
Height	C	914				
Shelf/tie-bar height	D	Adjustable				
Shelf/tie-bar clearance	E	Adjustable				
Shelf/tie-bar clearance	F	Adjustable				
Top overhang - front and rear	G	82				
Top overhang - ends	H	62				

Construction	
Top	304 Stainless steel 1.5 mm (16 gauge)
Stiffeners	Galvanized steel 1.5mm
Undershelf	Galvanized steel 1.2mm
Tie-bar	304 stainless steel tube with aluminium clamps
Legs	304 Stainless steel tube 40 mm Ø
Feet	304 Stainless steel

Load Capacity				
SSCT224	SSCT324	SSCT424	SSCT524	SSCT624
272 kg	317.5 kg	363 kg	408 kg	454 kg
SSCT230	SSCT330	SSCT430	SSCT530	SSCT630
295 kg	340 kg	408 kg	454 kg	499 kg

Length					
	610	914	1219	1524	1829
Center Tables					
762 Wide	SSCT230	SSCT330	SSCT430	SSCT530	SSCT630
610 Wide	SSCT224	SSCT324	SSCT424	SSCT524	SSCT624
Nominal Packed Dimensions					
800 Wide 140 Deep	920	950	1255	1560	1865
650 Wide 140 Deep					
Approximate Packed Weight					
762 Wide	21 kg	26 kg	32 kg	39 kg	46 kg
610 Wide	17kg	24 kg	29 kg	34 kg	39 kg
Optional Extras					
SH	Additional standard undershelf				
SSH	Stainless steel undershelf In lieu of SH undershelf				
SSDR	Drawers - advise number required 350 x 380 x 130 mm (14" x 15" x 5")				
Castors	Polyurethane - 2 with brake - 2 without 127 mm (5") add -C suffix to model number				
Flanged feet	304 stainless steel adjustable bolt down feet 90 mm (3½") flange				

Specifications subject to continuous improvement program



AMERICAN CATERING EQUIPMENT (UK) LIMITED
 5 CHANTRY COURT
 SOVEREIGN WAY
 CHESTER WEST
 CHESTER CH1 4QN
 UNITED KINGDOM

TELEPHONE: 44 (0) 1244 381281
 FAX: 44 (0) 1244 381700
 OFFICE: FSE@ACE-UK.COM
 PARTS: PARTS@ACE-UK.COM
 WEBSITE: WWW.ACE-UK.COM

