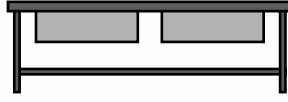


BUILT STRONG - BUILT TOUGH

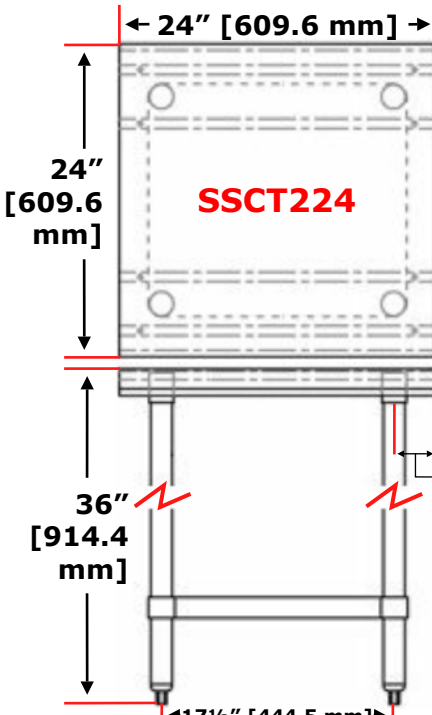
STAINLESS STEEL EQUIPMENT



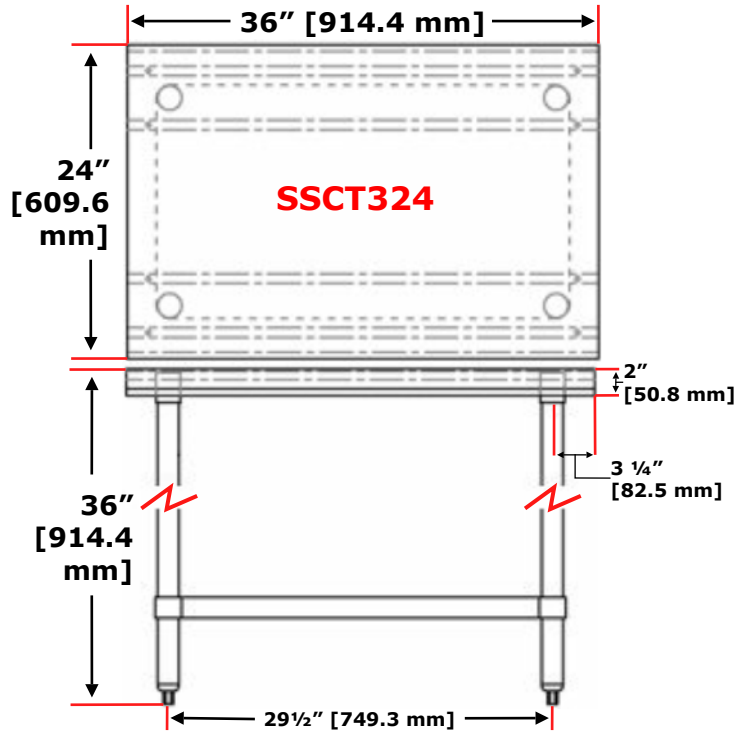
HEAVY DUTY
INDUSTRIAL
COMMERCIAL
MEDICAL
VETERINARY
RETAIL
WHOLESALE

WWW.ACE-UK.COM

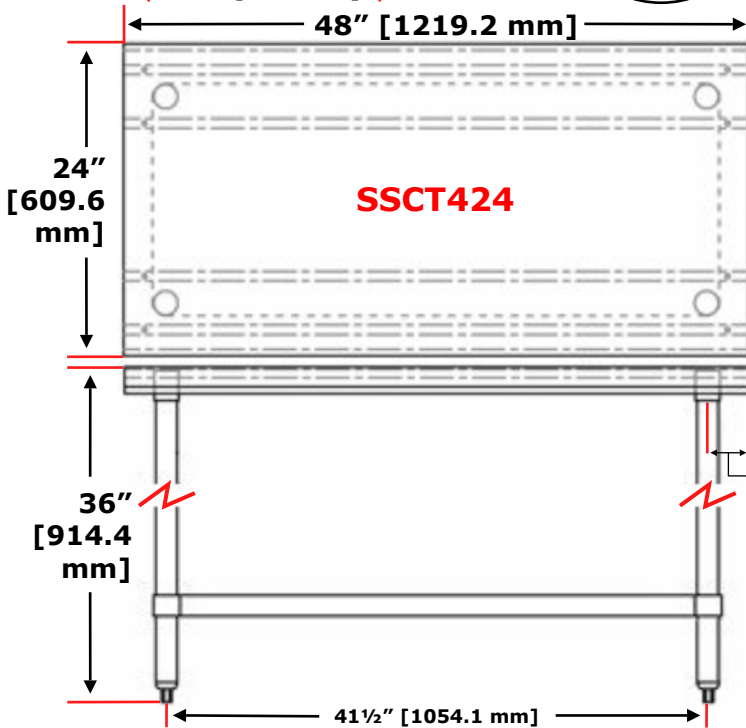
SSCT - center table - 16 gauge 304 stainless steel



SSCT224



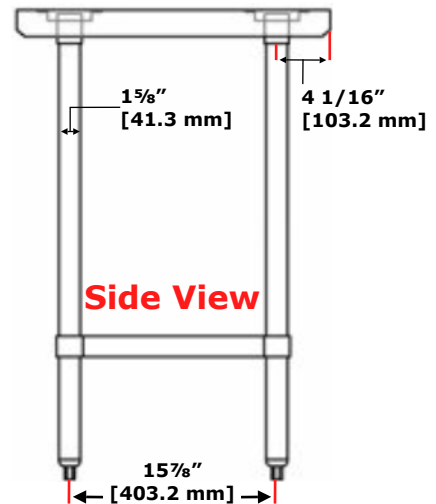
SSCT324



SSCT424

Adjustable Shelf Height

All Tables will accept
Extra Shelf



Side View

**AMERICAN
CATERING
EQUIPMENT**

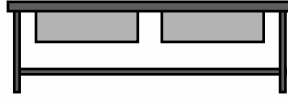
AMERICAN CATERING EQUIPMENT (UK) LIMITED
 5 CHANTRY COURT
 SOVEREIGN WAY
 CHESTER WEST
 CHESTER CH1 4QN
 UNITED KINGDOM

TELEPHONE: 44 (0) 1244 381281
 FAX: 44 (0) 1244 381700
 OFFICE: FSE@ACE-UK.COM
 PARTS: PARTS@ACE-UK.COM
 WEBSITE: WWW.ACE-UK.COM



BUILT STRONG - BUILT TOUGH

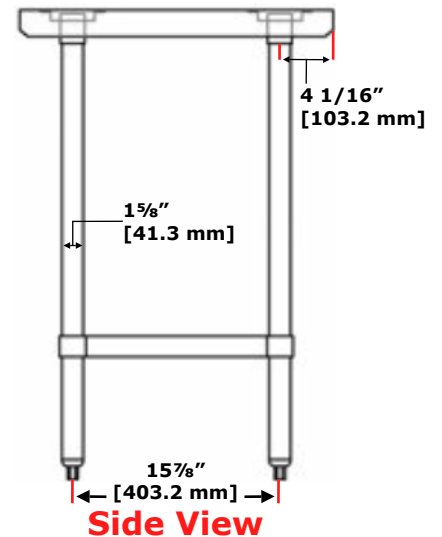
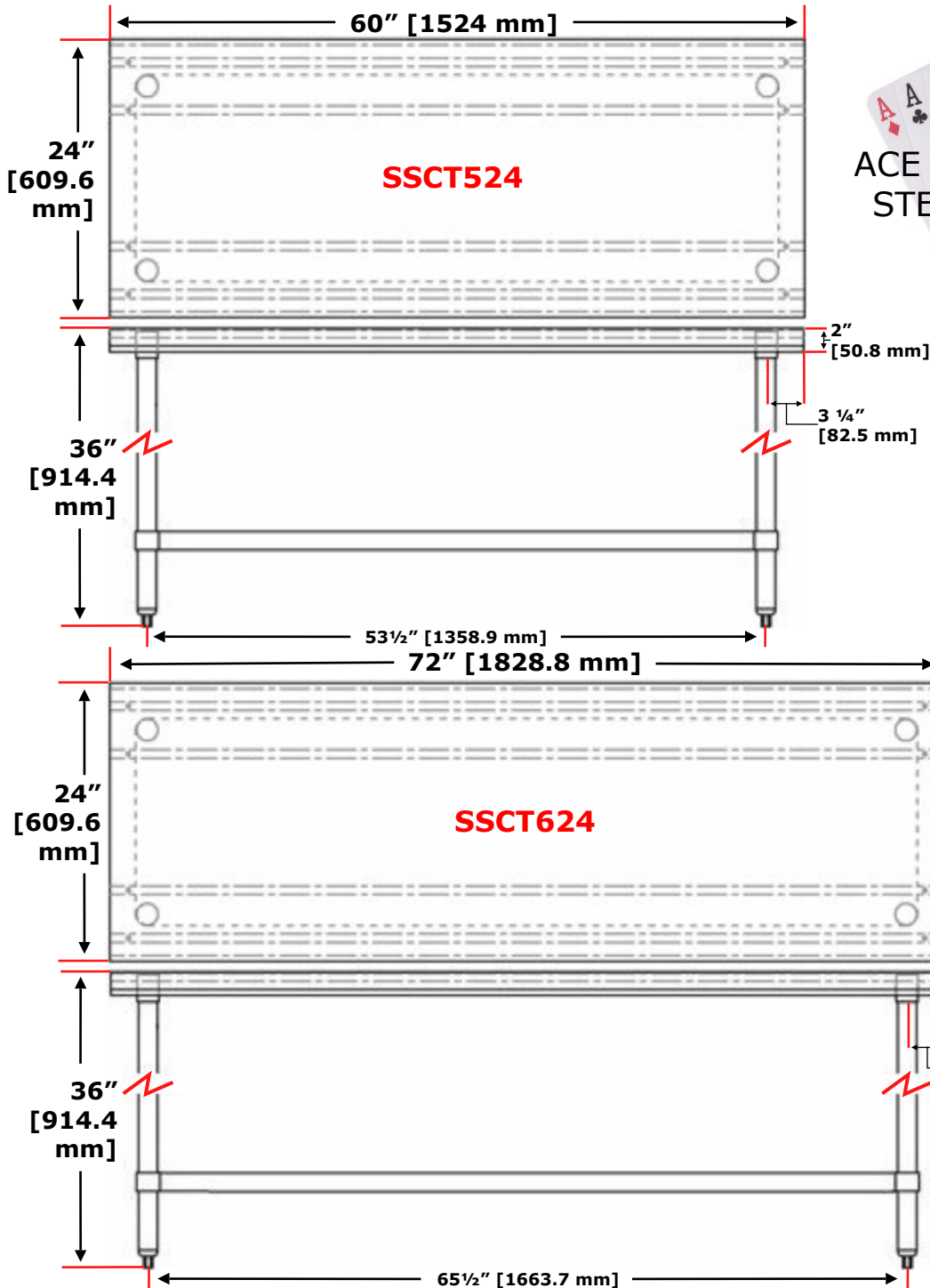
STAINLESS STEEL EQUIPMENT



WWW.ACE-UK.COM

HEAVY DUTY
INDUSTRIAL
COMMERCIAL
MEDICAL
VETERINARY
RETAIL
WHOLESALE

SSCT - center table - 16 gauge 304 stainless steel



Adjustable Shelf Height

All Tables will accept Extra Shelf

AMERICAN CATERING EQUIPMENT

AMERICAN CATERING EQUIPMENT (UK) LIMITED
5 CHANTRY COURT
SOVEREIGN WAY
CHESTER WEST
CHESTER CH1 4QN
UNITED KINGDOM
TELEPHONE: 44 (0) 1244 381281
FAX: 44 (0) 1244 381700
OFFICE: FSE@ACE-UK.COM
PARTS: PARTS@ACE-UK.COM
WEBSITE: WWW.ACE-UK.COM

